

COOKER HOOD
10YEARS WARRANTY
FOR COOKER HOOD MOTOR

Instruction manual for
Installation
Use
Maintenance

HOME TYPE TRADING SDN BHD
 LOT 1848-C, JALAN KPB 8, KAWASAN
 PERINDUSTRIAN KG.BARU BALAKONG,
 43300 SERI KEMBANGAN, SELANGOR, MALAYSIA.
 TEL:+603-8962 1848
 FAX:+603-8961 8848

Please read the instruction carefully before any operation

Congratulations!

Your purchase of an IKA product attests to the importance you place upon the quality and performance of the major appliances you use. With minimal care, as outlined in this guide, your product is designed to provide you with years of reliable service. Please take a few minutes to learn about its proper and efficient use and care. This guide will provide you with the information you need to become familiar with your product's care and operation. Your complete satisfaction is our ultimate goal.

WARNING

To reduce the risk of fire, electrical shock, or injury when using your appliance, please follows these basic precautions.

Motor maintenance

Do not turn on the cooker hood when the grease filters are removed. Never disassemble parts to clean without proper instructions. Disassembly is recommended to be performed by qualified personnel only. The qualified technician needs to read and understand all the instructions and warnings in this manual for cleaning and maintenance. Customer should not clean the motor but arrange an authorised professional to clean and service the motor. The user could call **IKA Service Centre** to arrange for such service.

TROUBLESHOOTING

Problems	Guidance
The cooker hood or the light bulb does not work.	Make sure the power supply is well connected and turned on. Make sure the wires are in good condition and well connected. Change a new bulb to see whether it is working or not.
The cooker hood starts vibrate after it turned on.	The cooker hood maybe not well installed, please check it with the installer and reinstall the cooker hood if necessary.
The cooker hood performs badly.	Make sure the ducting is of 6 inches diameter. Make sure the ducting is not too long or have more than 2 bents. Make sure the vent cap is not lock tight. Refer to the exhaust ventilation for more guides.
The light is working but the fan is not spinning at all.	The cooker hood may be damaged during transportation, please contact Pacifica Service Centre or the authorized dealers.
The cooker hood is not venting out the cooking fumes efficiently.	Make sure the installation distance falls between the recommended distances. Make sure the length and bents of the ducting do not go beyond the recommended levels. Make sure the ducting work is well sealed. Turn the fan speed to higher setting for heavy cooking.

PROTECT THE ENVIRONMENT

For disposing the packing material, please reuse the cardboard boxes and plastic wrappings and recycle only the biodegradable packing materials. Ensure the disposed or reused wrappings and any packing materials are out of reach by the children.

Before discarding an old appliance or this appliance after long used, make sure it is disconnected from the electricity supply, cut off the power cord and remove the door and the detachable parts inside it to prevent injury and other hazards. The old appliances or this appliance contain materials that can be recycled therefore please contact your local recycling centre for recycling these valuable materials as to reduce the wastage and pollution.

Replace charcoal filter

1. For recycle ventilation cooker hood, charcoal filter is needed and they have to be replaced after it is saturated with grease.
2. Depends on the cooking habit of the user, for heavy cooking user, the charcoal filter has to be replaced about every 3 months while under normal cooking the filter could be replaced every 6 months.
3. For user who does not know when the charcoal filter should be replaced, if the filter does not absorb the odour anymore then it is the time to replace a new one.
4. The user can purchase new charcoal filter from **IKA** Service Centre or the authorised dealers.

Replace new bulb

1. This cooker hood is using the LED bulbs for illumination.
2. Do not start to replace the bulb unless the appliance is disconnected from the power supply. Make sure the power is turned off and the plug is withdrawn out from it completely.
3. Please be extra careful during the changes of bulb as the bulb is very hot when it is on and the heat will still remain for sometimes after it is turned off.
4. Align the light bulb inner ring's arrow sign to the open symbol on the outer ring, the inner ring will be loose and then the halogen bulb can be moved out.
5. Avoid touching the surface of the halogen lamp during changing as the grease particles from fingers will stick on to it and damage the bulb.
6. Fit in the new light bulb and turn the inner ring clockwise to lock the bulb tight.
7. Connect the hood back to power supply and turn the light on to test it.

During operation

1. Always leave the filters or safety grills in place. Without these components, the operating fan could catch the hair, fingers, loose clothing and other small and light particles.
2. Never dispose cigarette ashes, ignitable substances, or any foreign objects into the operating fans.
3. Never leave the cooking unattended. When frying, oil in the pan can easily overheat and catch fire. The risk of self-combustion is higher if the oil has been used several times.
4. Never cook with flare-ups or flames in the cookware under the cooker hood. Handle the deep-fryers well during use as the overheated oil may be flammable.

IMPORTANT SAFETY INSTRUCTIONS

WARNING:

The user has to read all the stated instructions in this manual before the installation or use of this cooker hood in order to prevent unnecessary body injury and damages on the appliance.

This appliance is intended for residential cooking and used only therefore please use this cooker hood for its intended purpose only. This appliance conforms to the local uniform safety codes and regulations.

The manufacturer will not be responsible for the damages or injury caused by improper use of this appliance. The manufacturer and/or distributor/reseller decline the responsibility in the event of failure to observe the instructions given here for installation and maintenance of the product. The manufacturer and/or distributor/reseller further decline the responsibility for injury due to negligence, the warranty of the unit automatically expires and improper maintenance.

The user of this appliance has to keep these operating instructions in a safe place for future reference and pass them on to any future user for their safety concern.

Electrical Safety

1. Before the installation of this appliance, the user has to make sure that the voltage and frequency listed on the data plate correspond with the household electrical supply. This data must correspond to prevent injury and machine damage. Consult a qualified electrician or the authorised dealers if there is any doubt.
2. All electrical wiring must be properly installed, insulated and grounded.
3. Before installation or service, the installer has to disconnect the power supply to the work area by removing the fuse or turn off the power main. Ensure that the power will not return to the appliance during maintenance or repair work.
4. Make sure the appliance is properly installed and grounded by the continuity must exist between the appliance and an effective grounding system. If there is any doubt, please consult a qualified electrician. The manufacturer cannot be held responsible for damage or injury caused by an improper grounding system.
5. Never use an extension cord to connect this appliance to electricity as the extension cords do not guarantee the required safety of the appliance.
6. Do not activate this appliance with a damaged cord or plug, or if the appliance has been damaged in any manner. Return this appliance to the nearest authorized service facility for examination and repair.

During installation & use

1. Inspect the cooker hood for shipping damage before installation.
Do not install or operate a damaged unit and contact the **IKA** dealer if there is any damage found.
2. This appliance should be installed at a safe height for users to access it safely. This is to avoid unnecessary injury and for easier access.
3. This appliance is not designed for maritime use or mobile installations in any vehicles or aircraft. It is only possible with certain conditions; please consult the **IKA** Technical Department for further advice and specific requirements.
4. This appliance is made and intended for household use only and should not be used for commercial purposes.
5. This appliance must only be activated after it has been properly installed into the cabinet. This is needed to ensure that all electrical components are accurately shielded.
6. Only use this cooker hood for its intended purpose. Any other use is at the owner's risk as the manufacturer will not bear any responsibility for this.
7. Due to the large size and weight of this cooker hood, two persons are needed for the installation.
8. This cooker hood may have very sharp edges; please wear protective gloves during installing, cleaning or servicing if necessary.
9. Use this appliance for household ventilating use only. Do not use it to exhaust hazardous or explosive materials and vapours.
10. Make sure the ventilation pipe reaches the outdoor space or enter into the central air outlet within the building with the joints fully sealed and airtight.
11. Do not exhaust the cooking fumes through other appliance or fireplace's ducting.
12. Do not exhaust the fumes into walking corridor, closed room, garage, ceiling and other closed spaces.
13. Old duct work should be cleaned or replaced if necessary to avoid the possibility of a grease fire.
14. Check all joints on duct work to insure proper connection and all joints should be properly taped.
15. The installation, repair and maintenance work should be carried out by the **IKA** authorized technician or service professional. The installation, repair and maintenance work done by the unauthorised individuals could be dangerous and it may void the given warranty.
16. Only turn on the cooker hood after it is completely installed.
17. If possible, always choose the greater installation distance (between hood and hob) that is recommended or at least the minimum safety distance must be maintained.
18. All the adopted ducting, installation materials, pipe work and fittings must be non-flammable material. The installer could purchase the appropriate from **IKA** service centre.

3. For stainless steel hood, user may use stainless steel cleaner to clean the surface of the hood. Please avoid the cleaning solution penetrate into the control panel. Do not leave the cleaner on the hood too long as this may damage to the surface. Use soft towel to wipe off the cleaning solution, gently rub off any stubborn spots. Use clean and dry soft towel to dry the hood.
4. The user may buff up the stainless steel hood with stainless steel polish after cleaning.
5. Do not allow stains and dirt to accumulate on the hood casing.
6. Do not use ordinary steel wool or steel brushes as it may scratch off and damage the surface. These scratches and damaged parts may cause rusting in long run.
7. Do not allow salt solutions, disinfectants, bleaches, or cleaning compounds to stick on the stainless steel surface. Many of these compounds contain chemicals, which may be harmful to the casing. To clean these compounds, rinse it with water and wipe it dry with a clean soft cloth.
8. Do not use stainless steel cleaner on the control panel as it may spoil the surface of it or discolour it.

Cleaning the grease filter

1. The grease filters fitted by the factory are intended to filter out residue and grease from cooking. It need not be replaced on a regular basis but are required to be kept clean frequently.
2. The filters are recommended to be cleaned after every 20 hours of cooking. If the cooking habit is very heavy which involve a lot of deep frying and stir frying with lots of oil, the filter has to be cleaned more often than the recommended basis.
3. To clean the filters, the user could soak it with warm soapy water for sometime and then rinse it with clean water. The user could softly brush the filter with soapy water and clean cloth as well and then rinse it clean water.
4. After rinse off the soapy solution, the user has to dry the filters before they could place back to the cooker hood. The filters have to place back before it start operates again.
5. The damaged filter has to replace immediately, the filter could be purchase from Pacifica Service Centre or the authorised dealers.
6. Do not use abrasive detergent, powder cleaner, oven cleaner, cream cleaner and any other corrosive cleaning agent that will damage or discolour the filters.
7. Depend on the cleaning detergent used, to clean the filters in a dishwasher can cause permanent discolouration to the filters. However, the filters could still be used as the structure is not damage.

Caution: A saturated and unclean filter could result in fire hazard.

Sensor: If your range hood is provided with SENSOR function which means your range hood will work automatically when there is smoke in surrounding of the range hood.

Press Sensor/AUTO button to start sensor function(AUTO), and the button will flicker with blue/red color until its stop, the range hood is in sensor function, if the sensor receiver find the smoke below the range hood is more than the set smoke thickness, the range hood will work at 3(high speed), and when the smoke thickness is reduced, it will reduce the working speed for 1 speed in 20sec until there is no smoke, the motor stop working.(3 means HIGH speed, 2 means MEDIUM speed, 1 means LOW speed).

When the range hood is working in SENSOR function, any other operation to the range hood switch panel is not work. And press Sensor/AUTO button again to stop the sensor function and return to the normal use of the range hood.



Note: Light settings are independent from other settings (including delay-off) and lights have to be manually turned on or off.

Note: The range hood will saves user configurations, setting such as fan speed and they will remain the same until next use.

Note: For other style switches are similar operation as above designs

Caution: Do not touch the halogen lights unless they had switched off and cooled down(it may extremely hot after several minis working).

MAINTENANCE & CLEANING

Do not start any maintenance and cleaning work unless the appliance is disconnected from the power supply. Make sure the power is turned off and the plug is withdrawn out from it completely.

Cleaning the hood casing

1. Clean the hood casing periodically with warm soapy water and clean cotton cloth.
2. Do not use corrosive or abrasive detergent and steel wool or scoring pads, which will scratch and damage the stainless steel surface. For heavier soil, please use only the mild degreaser with warm water to clean it.

During cooking

1. Make sure there is sufficient room for ventilation when both the gas stove and range hood are in used.
2. Turn the fan setting to the highest during heavy cooking especially deep frying as to avoid fire hazard.
3. Never leave the cooking alone even with the cooker hood is in operation as the food maybe over burnt and cause fire hazard which will damage the cooker hood.
4. Only use the highest fan setting when it is necessary (during heavy cooking which produce heavy cooking fumes).
5. Please be aware the cooker hoods with halogen lighting as it will become extremely hot after it turn on and the user and children should be away from it to avoid burning injury.
6. Please be extra careful when there is other heating appliance (other than the cooking stove) in the same room or area where the cooker hood is. If the extra heating appliance also consume the oxygen in the room or area and exhaust the burnt gases out through a ducting as well, an air under pressure will occur which caused lesser oxygen in the room or area. The heating appliance will be starved from oxygen and result in impairing combustion. Harmful gases and fumes from another heating appliance maybe draw in to the cooker hood and go back to the room or area which may cause fatal consequences.
7. To allow 2 heating appliances operate simultaneously in the same room, the maximum permissible under pressure is 0.04 mbar (4 pa). The ventilation can be maintained through extra air inlets that are not blocked.
8. When the cooker hood is used over a gas hob, please always make sure the ignited burners are always covered with cookware or turn off the burner when the cookware is removed from the burner as the direct heat may damage the cooker hood.
9. Do not overheat the cookware under the cooker hood as the excessive heat may damage the cooker hood. Avoid flare up and flames in the cookware especially during wok cooking.
10. Ensure the filter is well install in place during cooking so the grease and oil will not get into the appliance excessively which will affect its performance.

Children

1. To reduce the injury of children, do not allow children to play with or around the cooker hood. Children are not allowed to operate this appliance on their own or even with the adult's guidance.
2. Do not store items of interest to children on or near this appliance. The children could be seriously injured if they try to reach the items by going near this appliance especially when it is in use.

3. Ensure the plastic wrappings of this appliance are disposed off safely and kept out of the reach of children.
4. Before discarding an old appliance or this appliance, please disconnect it from the power supply, take out the power cord and prevent the children to have contact with the cooker hood.

To protect the appliance

1. Do not use it to exhaust flammable gases, toxic gases, hazardous or explosive materials and vapours.
2. Do not leave items that may turn rust at the cooker hood as this can lead to corrosion to the appliance.
3. Do not lean, sit or place heavy items on the appliance as it cannot carry or stand heavy weight.

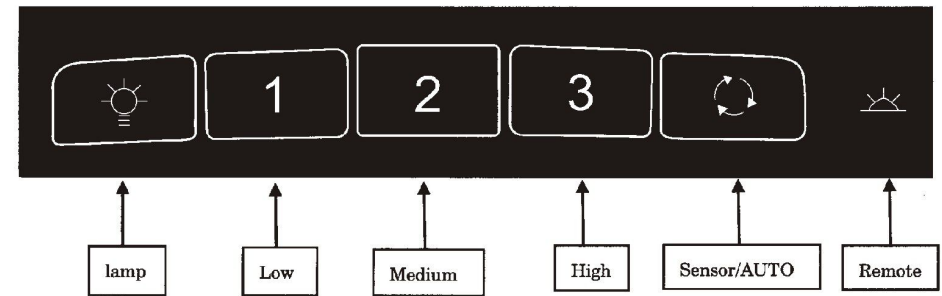
Appliance maintenance

1. Clean and wipe the appliance regularly on weekly basis. This is needed to further extend the appliance is not going to be used for a long period of time.
2. Do not use a steam cleaner to clean this appliance as the heating steam from the steam cleaner could penetrate through the cooker hood's components and permanently damage the cooker hood and its parts or even cause injury back to the user.
3. Keep the fan, filters, grease tunnel, oil container and other parts clean to further the lifespan of the appliance.
4. Do not open the housing of this cooker hood as tampering the electrical connections, parts and other components inside are very dangerous to the user and it may spoil the cooker hood as well.
5. For cooker hood technical service and maintenance, please call **IKA** Technical Department and make an appointment as it is much safer for the professional to do it.
6. Please keep this appliance away from cockroaches or any vermin infestation area and make sure the appliance's surrounding is always clean and dry as to avoid damages by vermin. The guarantee does not cover damages caused by vermin and animal.
7. Make sure the filter(s) are clean regularly as the saturated filter(s) is a potential fire hazard.

Other safety notes

1. If there is any defect or damage occur, please turn off the appliance immediately and shut off the power supply and contact the **IKA** Technical Service Department for repairing and servicing.

Switch instruction




- Lamp : To turn on/ off and dim the halogen light
 Low : To work at low speed
 Medium : To work at medium speed
 High : To working at high speed
 Sensor/Auto : To work automatically when there is smoke in surrounding
 Remote : To control the range hood with the remote controller

This range hood is designed to remove smoke, cooking vapour and odour from the cook top area. For best results, turn on the range hood a few minutes before cooking and also allow it to operate for several minutes after the cooking is complete as to clear the remaining cooking fumes and odour from the kitchen room.

Lamp: The user can turn on the range hood illumination through pressing on the 'Lamp' button. Press once to turn it on and once more to turn it off. The light function is independent from other function which will not be affected by other functions or adjustment.

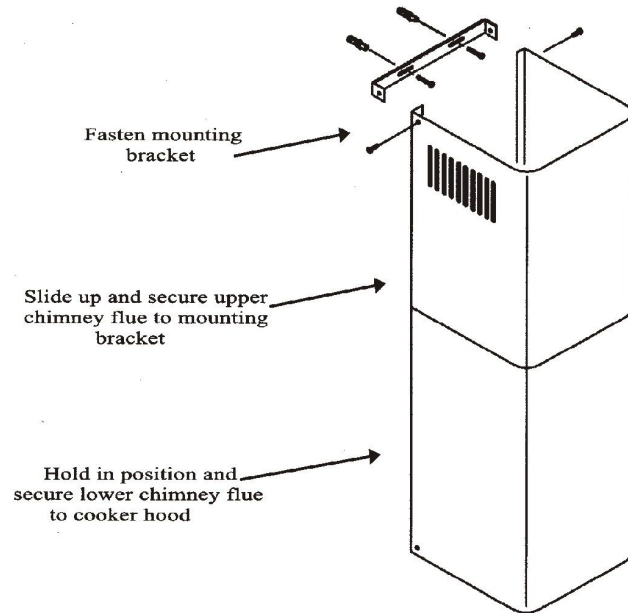
Fan speed setting: The range hood is operated at 3 fan speed setting. The user may adjust the fan speed setting through pressing on "1,2,3" buttons for different fan speeds. The previous fixed fan speed will be saved in the memory and the cooker hood will adjust itself to the previously fixed fan speed in the next operation.

Remote control: Operation to the range hood with Remote control is same as your operate to the range hoods, but please be sure to operate the remote control not 3 meters far away from the range hood, and please keep the remote control and the remote receiver  in the range hood in line to make sure of the best working station.

(the remote control cant set time)

Figure 4

- Place the mounting bracket (or air diverter) against the wall and align the holes from mounting bracket (or air diverter) with holes from type A anchors, fasten two type B screws through the holes onto the anchors as shown in Figure 5. Leave approximately 1/16 inches of gap between the wall and the mounting bracket (or air diverter).



* The displayed figures may be varied from the actual product.

- Calculate the height of the ducting and extend approximately 6 inches longer than required, connect the lower end of the ducting to the cooker hood and the upper end to the outlet (or air diverter). Make sure the main electrical supply remains disconnected then connect power plug to the electrical cord or wall socket.
- Have one person carefully position both upper and lower chimneys on the cooker hood as to allow another installer slide the sides of the chimney flues into the 1/16 inches gap. Fasten both chimneys flues with four type C screws.
- Install the oil cup back to its place and place the grease filters under the cooker hood.
- The user may check the operation and performance of the cooker hood after the above stated installation steps are done.

- When the appliance is under warranty repairs, the fixing should only be performed by a Pacifica authorized service technician. Otherwise, the given warranty of this appliance will be void.
- Do not interfere the electrical connections, components and mechanical parts and never open the outer casing of the appliance unless it is done by the Pacifica authorised service personnel. Otherwise, the given product warranty will be void.
- Make sure the power and electric cords of other electrical appliances do not come in contact with the cooker hood as the cords could be damaged and cause danger.
- To avoid electric shock and other damages, please keep the appliance's cord away from any liquid and other electrical appliances as well. Do not let the cord hang over on the edge of furniture or place in contact with any hot surfaces.
- The use of accessories that are not recommended by **IKA** may cause damage to the appliance itself and injury to the user.
- This appliance is not intended to be used by individuals (including children) with reduced physical, sensory or mental capabilities, or lack of experience and knowledge, unless they have been given supervision or instructions concerning use of the appliance by a person responsible for their safety.

SPECIFICATION

Power Rating	240V/50Hz
General Input Power	218W
Motor Input Power	80 W
Motor Revolution	600 RPM (±10%) to 1800 RPM (±10%)
Product Dimension	W900 x D500 x H600-1050 (mm)
Levels Of Speed Control	3 Levels
Air Flow(M3) & Noise Level (dB / sone)	1200M3 & ≥ 68 / 7.0 (maximum)
Motor Type	Metal
Fan Type	Sirocco
Control panel	Digital control panel with digital display
Filtration Type	Flame-guard filter
Illumination	LED illumination
Venting Size	6 inches in diameter

TOOLS, PARTS & ACCESSORIES

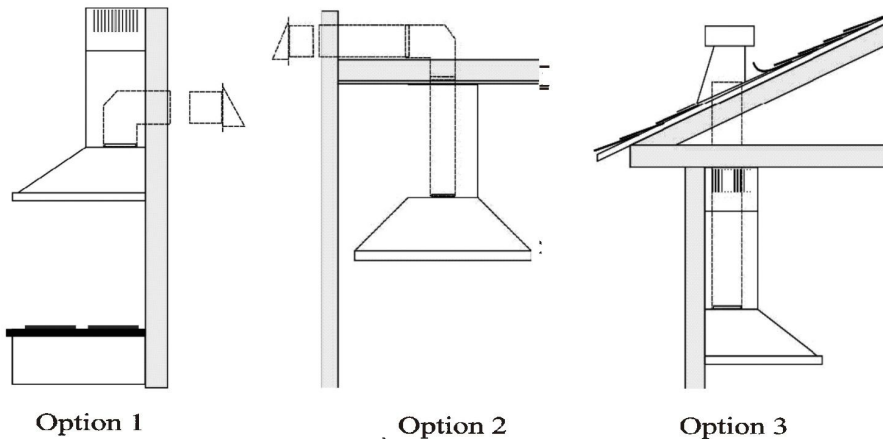
Tools needed

1. Pencil or marker	4. Spirit level
2. Utility knife	5. Powered screwdriver
3. Measuring tape	6. Flat blade screwdriver
7. Phillips screwdriver	

MODES OF OPERATION

Exhaust ventilation

Under this vented installation, the cooker hood's air outlet will be connected to the wall and reach the outdoor through a ducting. The cooking fumes and air in the kitchen will draw into the cooker hood and cleaned by the grease filters and then directed outside. The anti-backflow vent cap is needed for this operation mode. The anti-backflow vent cap will be fixed at the end of the ducting which is outside the kitchen at the opening on the wall. This vent cap is to block the vented fumes and air flow back into the ducting and the vent cap will be closed once the cooker hood turns off. Diagrams below are some examples of exhaust ventilation.



Recycle ventilation

In recirculation ventilation, the cooker hood's air outlet will be equipped with charcoal filter; no anti-backflow valve is needed. The drawn in fumes and air will be cleaned by the grease filter which is fitted below the cooker hood first and then cleaned by the charcoal filter before it re-circulated back to the kitchen. Please make sure the charcoal filter is fitted properly before turning on the cooker hood.

** The above displayed figures maybe varied from the actual product.*

11. Measure the distance between cook top and the bottom of cooker hood and make sure it falls between 28 inches to 31 inches.
12. Make sure the cooker hood is level horizontally and not tilted. Mark the locations of the hanging bracket holes on the wall as shown in Figure 3A and Figure 3B.

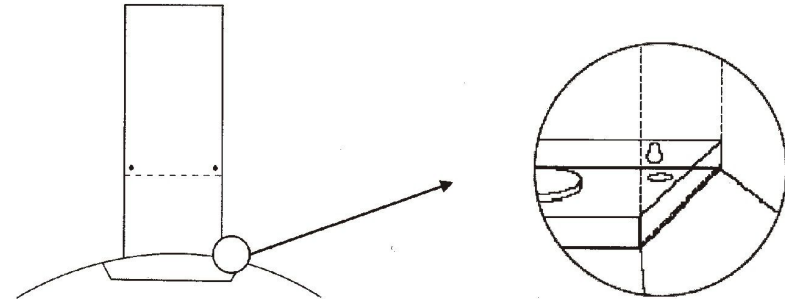
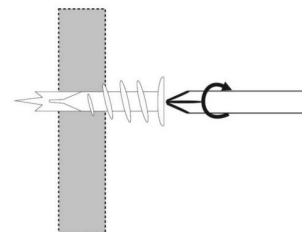


Figure 3A

Figure 3B

The above displayed figures maybe varied from the actual product

13. Place the mounting bracket directly above the cooker hood, level it, and mark the locations of the mounting bracket holes on the wall.
14. Place aside all equipments and locate marked regions and then drill holes. Attach the cooker hood to the wall using anchors recommended for your type of wall:
 - Sheet rock wall: Attach range hood to stud blockings if possible. If stud blockings are not available, it is required to build a supporting structure behind the sheet rock for best weight support.
 - Concrete wall: Use designated screws (not provided).
 - Wood wall: Use at least 4 inches long wood screws (not provided).
15. Fasten two type A anchors (for cooker hood and for mounting bracket or air diverter) onto the wall as shown in Figure 4. Loosely fasten two type B screws onto anchors. Do not fasten the screws all the way yet. Hang the range hood onto the type B screws and place it tightly. Leave approximately 1/16 inches of gap between the wall and the cooker hood.



2. Determine and mark at the ceiling where the cooker hood will be installed. Make sure there is proper clearance within the ceiling or wall for the ducting.
3. As this appliance is heavy, please make sure that the supporting or framework being used is stable and secured enough in the wall.
4. Put a thick protective cover on top of the counter top or cook top as to protect it from damage and dirt while during the installation.
5. Remove the hazardous objects around the area during the installation.
6. Mark the locations of the support mounting bracket holes, ducting cut out (if used) and power supply cable cut out on the ceiling and then use drill and saber saw or other tools to cut the openings for power supply cable and ducting.
7. Please seal the exterior wall or roof openings under the exhaust ventilation installation.
8. Turn off the main electrical supply, prepare and run the wires through ceiling or wall. Leave approximately about 12 inches of electrical cord hanging from the ceiling. Do not restore power until the wiring is complete.
9. Disconnect power cord, remove the aluminium filter by pressing on the latch toward the direction of solid arrow while holding the metal handle, gently pull down the aluminium filter toward the direction of dashed arrow as shown in Figure 1. Remove the grease cup by sliding it out forward; see Figure 2 for location of the grease cup. Set aside the aluminium filters and grease cup until the range hood is properly installed.
10. For glass cooker hood, please handle it with extra care and remove the glass before installation if possible. Do not put excessive pressure onto the glass.

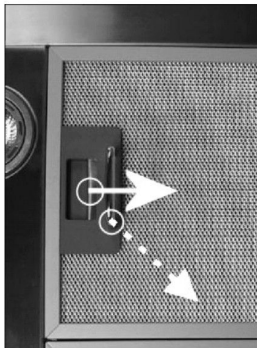
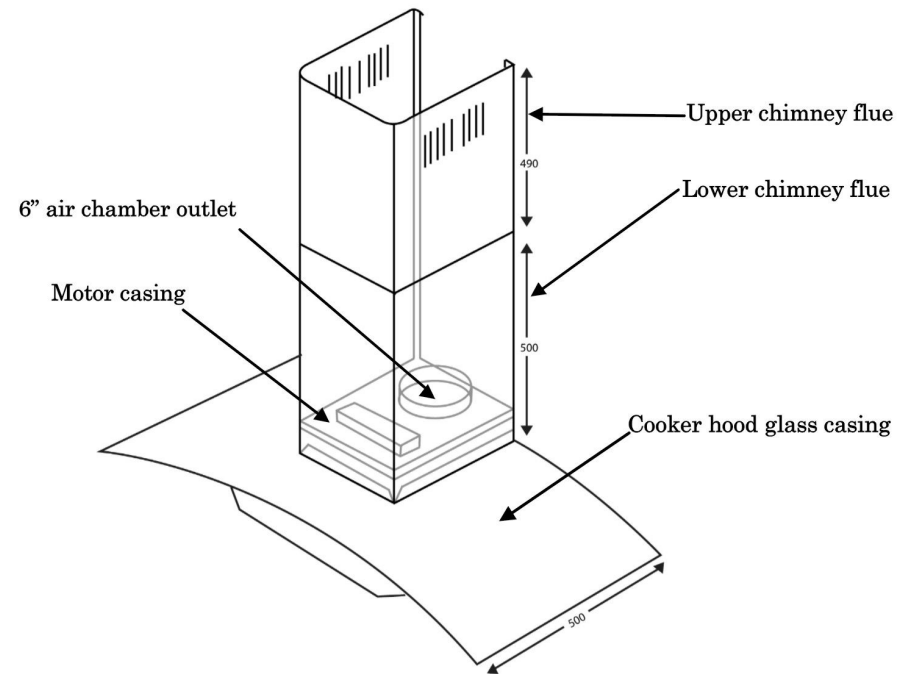


Figure 1



Figure 2

INSTALLATION OVERVIEW



The me

** The above displayed cooker hood figure maybe varied from the actual product*

INSTALLATION NOTES

Before installation, it is very important and needed to read and understand the stated safety notes, instructions and related information in this manual. This is to ensure the appliance could be installed appropriately and the user would use it in a proper method in order to avoid any unnecessary injury and damages. To avoid the risk of fumes suffocation, the cooker hood should be installed according to the stated instructions and notes in this manual. Next, the cooker hood has to install in accordance to the local building guides and regulations therefore please seek approval from the building management or inspector if necessary before installation.

Venting requirements

1. Do not vent the cooking fumes and air into attic, ceiling and any enclosed area.
2. Do not use the 4 inches anti-backflow valve for this cooker hood as the recommended ducting is 6 inches (15.2 cm) in diameter.
3. Make sure the ducting is clean inside for efficient ventilation.
4. The recommended distance between the top surface of cooking hob and the bottom part of the cooker hood is only between 28 inches to 31 inches.
5. Make sure the mounting height is appropriate as the cooker hood could be badly damaged and in fire hazard if the cooker hood mounted too low. If the cooker hood mounted too high, its performance and efficiency will be decreased.
6. The recommended ducting size is 6 inches (15.2 cm) in diameter or any ducting with larger diameter but never adopt the ducting with the diameter lesser than 6 inches (15.2 cm). Ducting with smaller diameter will not just reduce the air flow but also increase the noise level.
7. Both the size of the ducting and the size of air chamber outlet should be consistent.
8. Do not make the ducting turns 90°C more than 2 times as each turn will reduce the airflow efficiency.
9. Make sure the ducting has a length of at least of 24 inches (61cm) before a 90°C turn and between 2 different 90°C turn in the same ducting. This is to allow the drawn in fumes and air have enough room to push through the ducting smoothly.
10. Minimise the length of the adopted ducting and the 90°C bents so the cooker hood could work at its best. Always make sure the total ducting does not go beyond
11. Please ensure the vent system is completely sealed, if not please use the silver tape or duct tape to seal it to ensure proper ventilation.
12. Use silicon, plaster and etc. to seal the exterior wall opening or roof opening around the cap.
13. If turns are needed in the installation, please make sure make it as far as possible from the air chamber outlet.
14. All the ducting, installation materials, pipe work and fittings must be non-flammable material.
15. If the ducting is directed into a central vent flue of a building or house, the ducting outlet must be adjusted to the flow direction of the vent flue.

Venting requirements for recycle ventilation

1. Recycle ventilation is intended for applications where an exhaust duct work is not possible or allows to be installed. After converted, the hood functions as an air re-circulation hood rather than drawing the air out from the house. Fumes and exhaust from cooking is drawn in and filtered by grease filter and cleaned again by the charcoal filter before it goes back to the kitchen.
2. **IKA** always recommends venting out the fumes and air to the outdoor by employing existing or installing new ducting, if possible. Only when the exhaust option is not allowed or possible should the user choose to convert the hood into a re-circulation unit.
3. After the cooker hood has converted to recycle ventilation, the grease filters are needed. The grease filters are usually made of aluminium. The grease filters are made to capture the residue and grease of upcoming fumes. Charcoal filter is also needed in this method as it could further remove the odour and tiny grease in the drawn in fumes and air before it goes back to the kitchen. The charcoal filter has to be replaced every 3-6 months which depends on the habit of cooking and the usage. The charcoal filters are available at Pacifica authorised distributors and Pacifica Service Centre as well.

Electrical requirements

1. The electrical work should be carried out by a suitably qualified and authorised professional in strict accordance with the current local and national safety regulations.
2. Make sure the appliance is not connected to the power supply while during the installation.
3. Do not connect the appliance to the extension lead of a power socket as this will not guarantee safety of using this appliance.
4. Check the power supply of the house and make sure it is match with the appliance. The connection data is listed on data plate on the cooker hood.
5. Install this appliance with a proper 3 pins plug that match local and national safety standard and make sure the power is easily accessible after the appliance has been completely built in.
6. Make sure the cooker hood is properly grounded.

Installation steps

1. Please take note of the user who use this cooker hood most often and make sure there is enough space to cook comfortably under the cooker hood and able to reach the control panel easily at the same time.