



HOUSEHOLD GAS HOB

INSTRUCTION MANUAL

PLEASE READ THE MANUAL CAREFULLY BEFORE OPERATION.

USAGE ILLUMINATION OF HOUSEHOLD GAS STOVES

The instructional booklet introduces features, functions, installment explanation, operation steps and fire regulating methods of built-in household gas hob as well as its maintenance and repairation guide and solutions to familiar malfunctions.

■ Main technical parameters

IKA-2H/SV

Gas Supply	LPG	Natural Gas		Town Gas
Rated Fuel Pressure (Pa)	2800	2000		1000
Safety Device Functions	Valve-opening time (S)	Ionic Induction Type		≤0.5
	Valve-closing time (S)			≤12
Specifications of Outer Gas Admitting Pipe (mm)	Adopt Specialized Rubber Pipe with an Internal Diameter of φ9.5mm			
Parameters and Exterior Size	Ionic Induction Protective Device	Rated Heat Flow (KW)		Product's Exterior Dimension Length X Width X Height (mm)
		Left	Right	
		4.1kW	4.1kW	800x450x170

IKA-2V/SV

Gas Supply	LPG	Natural Gas		Town Gas
Rated Fuel Pressure (Pa)	2800	2000		1000
Safety Device Functions	Valve-opening time (S)	Ionic Induction Type		≤0.5
	Valve-closing time (S)			≤12
Specifications of Outer Gas Admitting Pipe (mm)	Adopt Specialized Rubber Pipe with an Internal Diameter of φ9.5mm			
Parameters and Exterior Size	Ionic Induction Protective Device	Rated Heat Flow (KW)		Product's Exterior Dimension Length X Width X Height (mm)
		Left	Right	
		3.5kW	3.5kW	800x450x164

■ Installment illumination and component sketch map

- Unwrapping packing carton of gas hob, take hole-punching template out. Punch embedding hole on hob countertop according to the size of the template or dimension provided by it. (Diagram 1) Bottom of the cupboard of built-in gas hob shall leave out a space for air inlet of over 150cm² to ensure the air's free flow into its bottom.
- When punching holes, ensure that gas hob shall be installed where other articles are over 150mm far away from it and keep a space of over 100cm above the top of it. (Diagram 2)
- Gas hob and gas cylinder must keep a distance of 50-100cm. Rubber gas admitting pipe shall

IKA-2V/SV

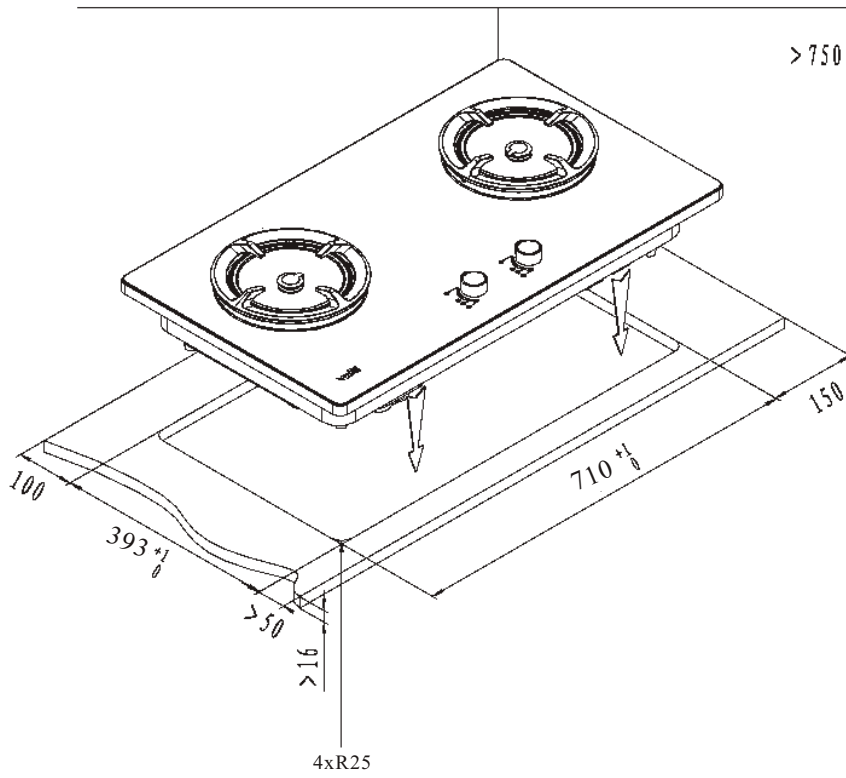


Diagram 2

IKA-2H/SV

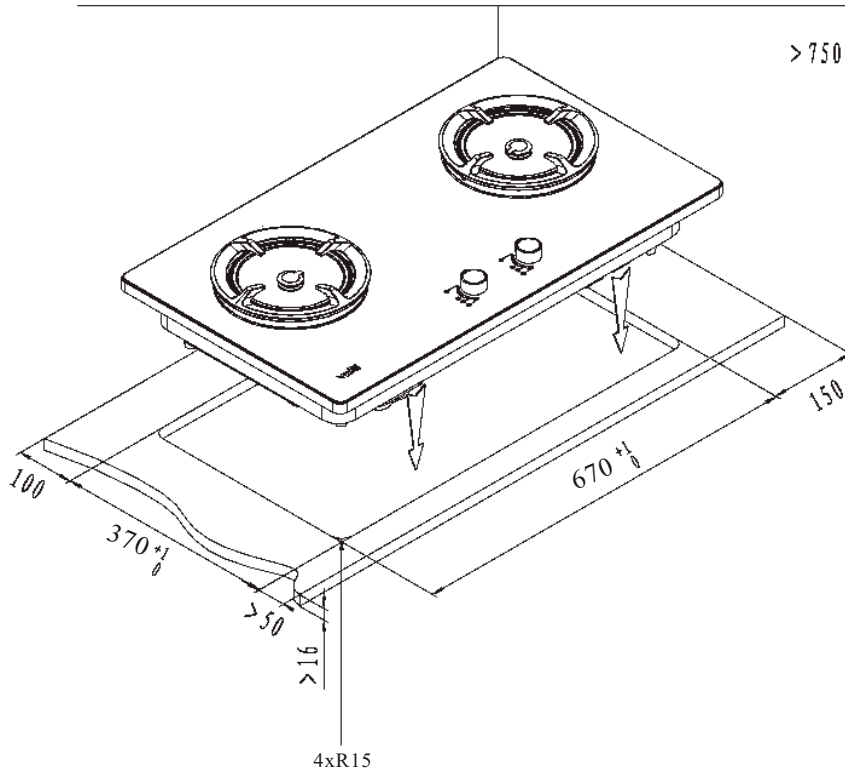
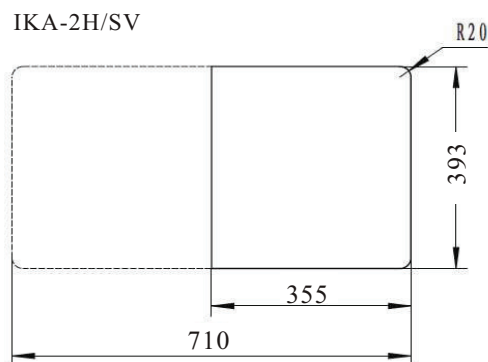
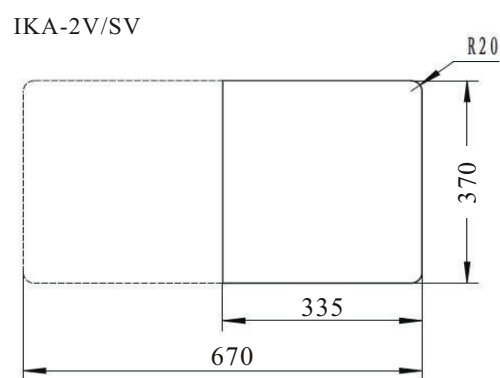


Diagram 2

be no longer than 150cm and kept away from stove body and not crossing through the bottom of gas stove.

- Get rid of foam underlay, packing bag and dustproof cover and suit specialized gas-admitting pipe and clip it tightly with pipe clamp then check if there is a leakage using soap liquid.
- Open battery box up from the bottom of gas stove and place two 1# batteries into it under correct polarity.
- Stick rubber mud strip to the bottom shell along the lower surface of its circumference.
- (Both table-top and built-in type) When gas stove is used as table-top type, need not punch embedding hole on countertop and merely install four feet on its bottom for operation.



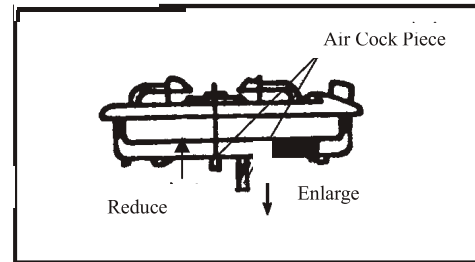
1. The cutting area should be the same as the size of template. Put down the template on the cabinet and mark it accordingly;
2. Cut the cabinet according to mark, clear burr and sundries.

■ Operation steps and adjustment method

● Ignition operation (See diagram 5)

1. Regulate two knobs to the position of “OFF” then open overall gas supply.
2. Press knob and turn it counterclockwise.
For pulse ignition, main fire forms automatically with the clattering of ignition needle; For piezoelectricity ceramic ignition, igniter will light up with the sound of a crack. And may take hands away after main fire establishes.

Diagram 3



● Fire regulation (see diagram 4)

Turn knob slowly to obtain desired flame according to diagram 4.

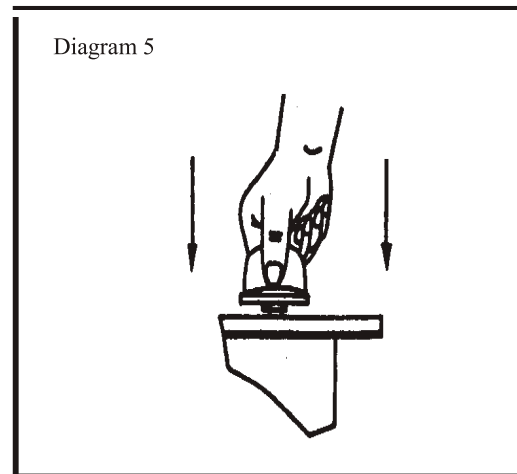
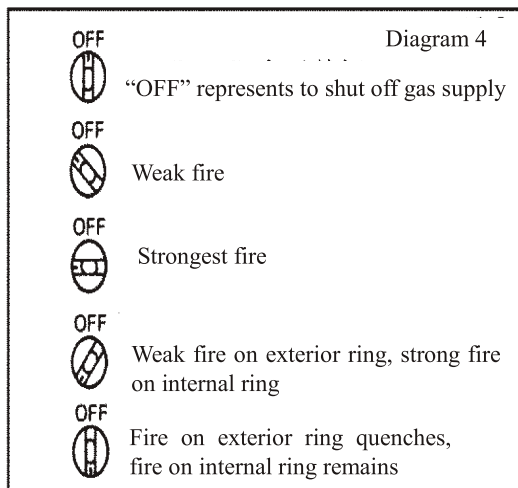
Turn knob clockwise to the position of “OFF”, and flame will quench automatically then shut off gas supply.

● Air cock regulation (see diagrams 3)

In case of unstable flame, shall regulate air cock to stabilize it. In case of removed flame or renegade fire, reduce air cock and in case of yellow flame or black smoke, enlarge air cock. Proper flame color is light blue. Regulation method (see diagram 3): moving-up of air cock is to reduce it otherwise is to enlarge it.

● Safety protection

In the event of accidental fire, ionic induction type protective device will shut off safety valve automatically to stop gas supply within 8 seconds and thermoelectricity type protective device will shut off safety valve automatically to stop gas supply within (wind flow-out: 45 seconds and water pour-out: 5 seconds).



■ Safe operation and warning

- Please ensure that current fuel gas is identical with that on the nameplate of gas stove before operation. Otherwise, do not operate the device.
- Keep kitchen draughty and necessarily equip with air inlet and keep smoke displacement devices on operation. (Scavenger fan or smoke ventilator)
- In case that gas leakage or exceptional smell occurs, immediately shut off overall gas supply switch, open door and windows to circulate air inside kitchen naturally. Do not submit the device to operation until fuel gas is completely dispatched. To prevent accidents from happening, do not scavenge air by electric appliance or operate switch of any electric device.

- In case that one burner flames out accidentally, safety valve will shut off gas supply automatically and another burner will also flame out. For a new operation, turn two knobs to the position of “OFF” and repeat the ignition operation (apply to ionic induction safety type).
- When scant pressure indicator light flashes, shall displace batteries (apply to gas stove with scant pressure device).
- No placing or storing inflammable and explosive articles around gas stove.
- Keep specialized gas-admitting rubber pipe being displaced for around every one and a half year to prevent gas leakage from happening caused by its aging and break for safety operation.
- When finishing operation of gas hob , do remember to shut off its overall gas supply after closing up knobs.

■ Cleaning as well as installment and dismantling

- To keep tidy appearance of gas stove, rid up its table-board and circumambience periodically.
- To avoid blockage of fire orifices, remove fire cover and sweep them periodically.

■ Maintenance and Repair Guide

Malfunctions		Causes	Solutions
Ignition Failure		Overall fuel gas switch is unopened	To open overall gas supply switch
		Rubber pipe is kinked, staved or blocked	To adjust or displace gas admitting pipe
		Use-up of fuel gas	To displace gas cylinder or query
		Air mixed in rubber pipe	To dispatch air by repeating ignition
		Misplacement of ignition needle	To adjust distance of electricity discharge to 3-4mm
		Weak sparks during ignition	To tidy up ignition needle or displace batteries
Gas Leakage (Or Exceptional Smell)		Break or fall-off of rubber pipe caused by aging	To displace or reconnect rubber pipes together
		Establishment failure of main flame on burner	To commit reignition after complete dissipation of fuel gas
		Loosely sealed valve body	To displace valve body
		Aging gasket of valve body	To displace gasket
Exceptional Flame	Irregular Flame	Displacement of fire cover	To place fire cover properly
	Short and Faint Flame	Scant pressure of fuel gas	To check the gas route of gas cylinder and pressure relief valve
	Easily Blow-off Flame	Too big orifice of air cock	To reduce the orifice
	Long and Yellowish Flame (or Black Smoke)	Too small orifice of air cock; improper installment of burner	To enlarge the orifice; install burner properly
	Unbalanced Flame	Blockage of fire orifices on fire cover	To sweep fire orifices on fire cover