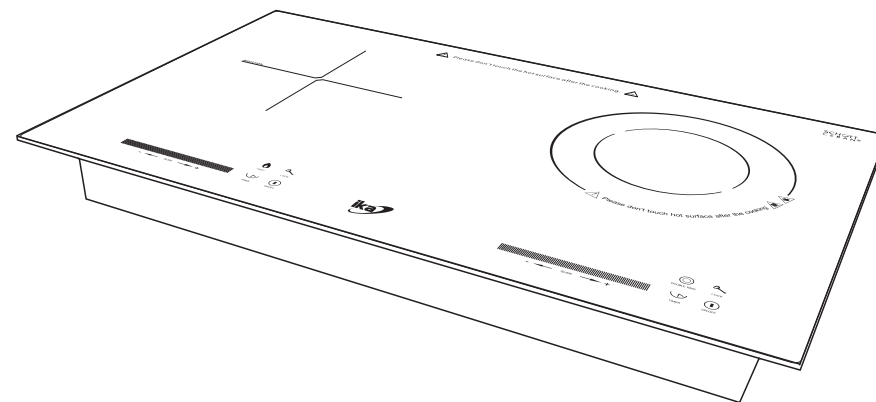




# USER MANUAL

IKA-2222-G



HOME TYPE TRADING SDN BHD

Address: LOT 1848-C, JALAN KPB 8, KG. BARU BALAKONG, 43300

SERI KEMBANGAN, SELANGOR DARUL EHSAN, MALAYSIA.

TEL: 00603-8962 1848 FAX: 00603-8961 8848

## ■ PRODUCT INTRODUCTION

Induction & Ceramic Cooker adopting electromagnetic heating and infrared heating. Microcomputer control, induction touch operation, complete functions. Satisfying a variety of different culinary needs, it is ideal for modern families.

## ■ PERFORMANCE CHARACTERISTICS

● **Energy-efficient:** It adopts the new calefaction principle. The thermal efficiency is extremely high, it is both time-saving and energy-saving. Calefaction begins when a cookware is on and heating is stopped when the cookware is removed.

● **Safe and environmental -friendly:** User's safety and environmental friendliness of the cooker are our top priority. Only cookware of ferromagnetic materials would be heated for the induction cooker.

This induction cooker will enter into self-protection which is to stop heating under such circumstances:

1. when there is no cookware placed on it.
2. when the cookware is overheated.
3. when the input current is too high.

If the cooker stove is being turned on but left idle, it will automatically shut down in 2 hours. The surface of the cooker is made of the imported heat-resistant ceramic plate which is insulated and guarded from leakage. The cooker is free from typical problems like leakage, explosion, flaming burns, etc. The number of accidents are greatly reduced. It is fireless and smokeless in the course of cooking so that cuisine is made much easier. In the meantime, it also contributes to cozy and ideal living environments and good health of family members.

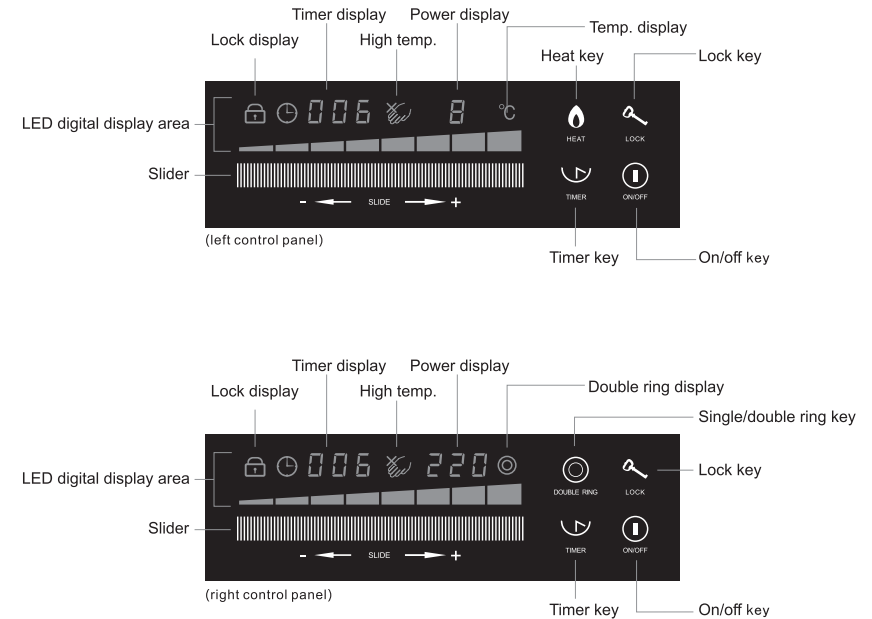
● **Multi-functional:** It adopts latest newest micro-computer chip program control. It offers multiple scales for heating power regulation and temperature control. It also offers 480 minutes time setting. The induction cooker can automatically detect whether there is cookware placed on it or not.

● **Easier to clean:** The advanced heat-resisting ceramic panel is easy to clean and to maintain. It is also free from burning damage if vegetable juice or soup is overflowed. This induction cooker can be easily cleaned up with a gentle wipe of cloth.

● **Touch sensor control operation:** Touch sensor control system design. All control operation can be conducted easily by pressing on the control panel.

● **Intellectual power:** In order to accommodate to family use, the total power for the double zone of cooker should not be too large. But in order to meet cooking requirement, the maximum power of each cooker should not be too small. So this cooker adopts intellectual power distribution technology, of which micro-computer can distribute total specified power to each cooker based on the requirement of each respective zone.

## ■ CONTROL PANEL DESCRIPTION



①	Press this key to turn on or off.
🔥	Press this key to switch the heating or constant temperature function cyclically.
⊙	Press this key to switch single/double ring heating mode.
🕒	Press this key to enter the timing setting, after setting the time, press this key again to confirm.
🔒	Press and hold this key for 2 seconds to enter the locked state, except for the power switch key, other keys cannot be operated. Press the key again for 2 seconds to release the locked state.
▮	When swiping to the right, the fire function can increase the fire level, the constant temperature function can increase the temperature level, and the setting time can increase the timing time. When swiping to the left, the fire function can reduce the fire level, the constant temperature function can reduce the temperature level, and the setting time can reduce the timing time.

## ■ INSTRUCTIONS

**Power on:** Insert the power plug into the socket and hear a "beep" to indicate that the power is turned on and is in standby state.

**Power on:** Place the pot in the heating area, press and hold the "Ⓜ" button for about 2 seconds, the LED digital light will be on.

**Shutdown:** During the heating process, press the "Ⓜ" key to shut down.

**Lock:** Press and hold the "🔒" key for about 2 seconds, the buzzer will emit three short beeps, and the lock indicator will light up. At this time, except for the power switch and the lock key, other keys are locked (ineffective) to prevent wrong operations, and then press and hold the "🔒" Press the key for about 2 seconds, the buzzer makes a long sound, the lock indicator goes out, and the lock state is released. The lock operation can also be performed in the off state. Although the power switch can still be operated after locking, other keys are invalid, and the stove cannot be heated, which can prevent children from turning on the machine, that is, the child lock function.

**Set time:** press "🕒" at this time the timing digital tube is on; slide the "■" button to set the required time; after setting, press the timing button again to confirm the timing setting, if the set time is not zero, the timer starts to work, When the set time is reached, the heating stops and "End" is displayed. Press and hold "🕒" for 2 seconds to cancel the timer.

**Change the firepower:** in the firepower function, slide the "■" key to increase or decrease the firepower, and the LED digital displays the set power (firepower). (This electric stove adopts intelligent power distribution technology. When the fire power of one burner is increased to make the total power exceed the specified value, the system will automatically reduce the power of the other burner to ensure that the total power does not exceed the specified value)

**Change the temperature:** When using the constant temperature function, slide the "■" key to increase or decrease the constant temperature temperature, and the LED digital displays the set temperature.

**Fixed temperature function:** Press the "🔥" key to cycle through the heating or fixed temperature function.

**Single/double ring switch key:** Press the "🕒" key during the heating process to switch the single/double ring heating mode.

**High temperature warning:** After the cooktop is used, there will be a high temperature in the heating area, and the window on the right side of the digital display area will display a "🔥" high temperature warning, do not touch the cooktop.

## ■ INSTALL

★The installation must meet the following instructions.

1. The wall above the work surface and the wall near the stove must be heat-proof.
2. The laminates and adhesives used to install them must also be heat resistant so that they do not change.
3. In any installation method, it should be ensured that the air at the bottom of the furnace and the back side of the cooktop can be reliably dissipated, so as to increase the tools and tools of the furnace for reliability.
4. Protect the opening: The laminate used in the workbench is relatively easy to expand if it comes into contact with moisture. Paint on the edge of the opening. Apply varnish or special adhesive to prevent condensation of any steam under the bench.
5. Open a square hole on the workbench according to the specified size to ensure that any side is greater than 100mm from the wall.
6. Under various installation conditions, the stove needs good ventilation, and it is necessary to ensure that the air inlet and outlet are not blocked.
7. Do not set other equipment within 50cm around the working surface of the stove and vertically above the working surface.

**Desktop installation:** When using this product as a desktop, please note that the distance between the ventilation holes and the wall is greater than 100mm Recessed installation (placed on an empty cabinet assembly):

Cut a mounting hole according to the size on the kitchen cabinet where the stove needs to be installed (as shown in Figure 1)

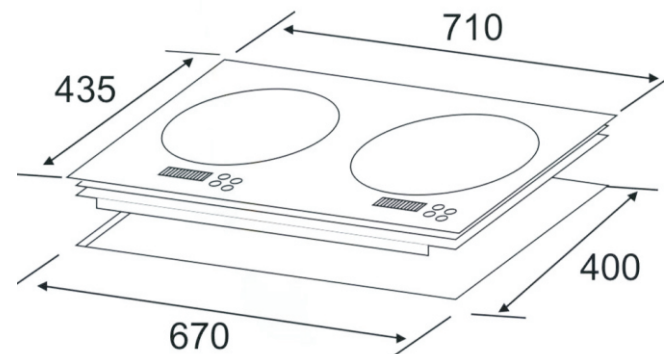


Figure 1

- Install a flat partition at the lower part of the opening, the installation position should be more than 200mm from the cabinet table, and a hole with an area of more than 150 square centimeters should be opened behind the flat partition. A longitudinal partition is installed in the center of the flat partition, and the distance between the vertex of the longitudinal partition and the cabinet table is 58mm. Open an air inlet larger than 100 cm<sup>2</sup> at the lower part of the stove installation position on the front side of the cabinet, and the opening can be of any shape (as shown in Figure 2).

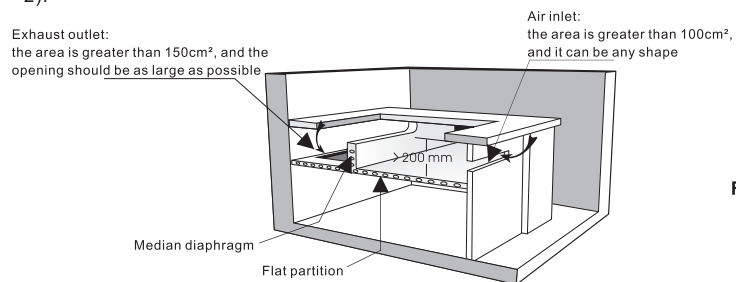


Figure 2

- Attach the provided waterproof tape to the lower part of the stove panel as shown in Figure 3.

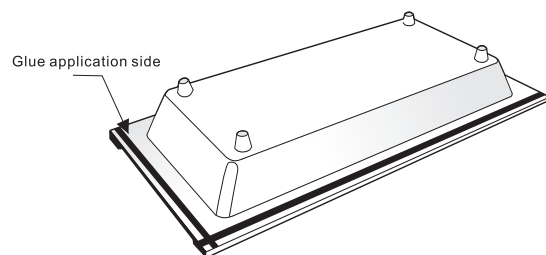


Figure 3

- Put the stove with the waterproof tape into the opening, insert the plug of the power cord into the corresponding socket, and it can be used normally when it is powered on (as shown in Figure 4).

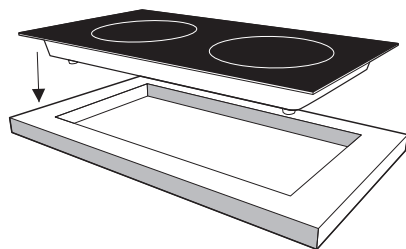


Figure 4

## ■ SELECTION AND USE OF COOKWARE

1. Applicable pots and containers: iron series (enamel, cast, stainless steel, iron pots) with a bottom diameter of 12cm or more and 26cm or less, and a flat bottom.
2. All kinds of pots and containers that are not suitable for use: containers made of aluminum and copper, the bottom diameter of the pot container does not exceed 12 cm, ceramic pots, heat-resistant glass pots, curved pots, and pots with feet attached to the bottom .
3. Pots and heating containers must be placed in the center of the circle on the surface of the work area.
4. For pots and pans used in electric ceramic stoves, the bottom diameter needs to cover the heating range.

## ■ SAFETY PROTECTION

- ▲ **Electronic safety device:** The built-in probe detects the temperature of the electronic circuit in real time. When overheating, the heating power is automatically reduced.
- ▲ **Long-time work protection:** If there is no operation within 2 hours of starting the heating, the furnace will automatically stop heating.
- ▲ **There is an automatic temperature regulator for the furnace head:** after heating, when the panel temperature is too high, the furnace head will stop heating, and then resume heating when the panel temperature drops to normal.

## ■ SAFETY PRECAUTIONS

- ▲ This appliance is not intended for use by persons (including children) with reduced physical, sensory or mental capabilities, or lack of experience and knowledge, unless they have been given supervision or instruction concerning use of the appliance by a person responsible for their safety.
- ▲ Children should be supervised to ensure that they do not play with the appliance.
- ▲ This appliance is intended to be used in household and similar applications such as:
  - staff kitchen areas in shops, offices and other working environments;
  - farm houses;
  - by clients in hotels, motels and other residential type environments;
  - bed and breakfast type environments. When the cooktop is working, a weak induced magnetic field is generated around it. Although tests have shown that the hob meets the standard for wearing
- ▲ People with pacemakers are not at risk. However, the wearer is advised to use the stove and consult a doctor first.
- ▲ After using the hob, unplug or turn off the switch at the outlet.
- ▲ Do not place anything other than heating pots on the hob.  
It is forbidden to directly heat sealed containers or canned food to avoid explosion hazard due to thermal swelling.
- ▲ Do not insert foreign objects such as iron wires into the exhaust port and intake port to avoid electric shock.
- ▲ Do not put the iron sheet directly on the heating area of the furnace surface to avoid the danger of high temperature.
- ▲ Do not place the stove near a gas stove, gas stove, etc. where there is an open flame or high temperature.
- ▲ After use, please turn it off manually, and you cannot rely on the automatic shutdown function without pots to shut down.
- ▲ The appliance cannot be operated by means of an external timer or an independent remote control system.

## ■ CLEANING AND MAINTENANCE

- ▲ Do not place flammable or acidic and alkaline items around the stove to prevent acid and alkali from corroding the circuits in the stove and affecting the service life of the stove.
- ▲ Do not rinse the body directly with water, but wipe it with a soft cloth dipped in water.
- ▲ Be careful not to rub the surface of the ceramic panel in the work area at the bottom of the pot to avoid scratches (the surface of the ceramic panel in the work area is scratched)
- ▲ The injury does not affect the use of the stove).
- ▲ Do not use steam cleaners.

## ■ IDENTIFICATION AND ELIMINATION OF SIMPLE FAULTS

Because the cooker adopts the most advanced microcomputer detection and control technology. Therefore, there are some phenomena in the work of the cooker that do not seem to be malfunction. Please check the following instructions.

No.	Problem	Possible Cause	Solution
1	Fan continues to work for a while after switch off the heater induction.	The electronic system is cooling down	Normal
2	The induction works for a while and stops, indicating "E4".	1. The induction is improperly and ventilation is not good. 2. The inlet of fan is block. 3. The fan stops working 4. The surrounding temperature is too high. Please check if there is some heating device nearby.	1. Install as required and assure good ventilation. 2. Clean and remove the stuff in the inlet 3. Deliver it to a professional service center. 4. Improve the ventilation.
3	The induction works for a while and stops, indicating "E3".	1. An empty cookware is being heated. 2. The temperature of the stuff being heated rises too high.	Remove the empty cookware after the calefaction area is cooling down.
4	The heater works for a while and stops, indicating "E5"	The temperature sensor breaks down.	Deliver it to a professional service center.
5	The heater works for a while and stops, indicating "E6"	The temperature sensor breaks down.	Deliver it to a professional service center.
6	The heater works for a while and stops, indicating "E1"	Power of voltage supply is too low	Turn off and wait the voltage is stable.
7	The heater works for a while and stops, indicating "E2"	Power of voltage supply is too high	Turn off and wait the voltage is stable.
8	The heater works for a while and stops, indicating "E7"	Operating panel areas with water or guided magnetic objects.	Cleen the water remove the object and than use it again.

## ■ ERROR CODE

When the stove is installed or used improperly, the power supply is abnormal or the stove is faulty, the LED numbers on the panel will display an error code.

Error Code	Causes
E1	Power of voltage supply is too low
E2	Power of voltage supply is too high
E3	Cooking surface is too hot
E4	Temperature inside the induction is too high
E5	Cooking sensor is spoiled
E6	Internal sensor is spoiled
E7	Operating panel areas with water or guided magnetic objects.

## ■ WARN

- ▲ After use, switch off the hob element by its control and do not rely on the pan detector.
- ▲ Danger of fire: Do not store items on the cooking surfaces.  
CAUTION: The cooking process has to be supervised. A short term cooking process has to be supervised continuously.  
WARNING: Unattended cooking on a hob with fat or oil can be dangerous and may result in a fire.
- ▲ When using the electric stove, the power ground wire must be grounded reliably, and the gas pipe or water pipe cannot be used for grounding, and the ground wire cannot be used for other purposes.
- ▲ It is forbidden to place electric stoves on iron countertops or household appliances (such as iron kitchen cabinets, disinfection cupboards, refrigerators, etc.).
- ▲ Do not put knives, forks, spoons, covers and other objects on the stove when it is working to prevent accidental heating.
- ▲ Do not touch the heating area of the cooktop with your hands after using the electric stove.
- ▲ Due to the influence of the high temperature of the pot, the temperature of the heating area is quite high.
- ▲ If the electric stove is abnormal, such as the power cord is damaged, it must be replaced and repaired by the manufacturer or an authorized repair department professional. Users are not allowed to replace and disassemble by themselves, otherwise the warranty will be voided. (The company is not responsible for any security incidents arising therefrom).
- ▲ If the glass plate of the cooktop is cracked, please turn off the power immediately and unplug the power plug to prevent electric shock.

## ■ PRODUCT SPECIFICATIONS

PRODUCT NUMBER	IKA-2222-G
RATED VOLTAGE	220V-240V~ 50Hz
RATED POWER OF THE WHOLE MACHINE	4400W
LEFT FURNACE MAXIMUM POWER	2200W
RIGHT FURNACE MAXIMUM POWER	2200W
DIMENSIONS	710X435X80mm
INSTALLATION HOLE SIZE	680x380mm