



## Cooker hood User Manual



**Model Name: IKA-GREVEN**

## Content

<b>1. Safety Precautions Safety precautions.....</b>	<b>2</b>
<b>2 . Important Information.....</b>	<b>4</b>
<b>3. Product Information.....</b>	<b>4</b>
<b>4. Installation Instructions.....</b>	<b>6</b>
<b>5.Instructions for operation.....</b>	<b>11</b>
<b>6. Maintenance.....</b>	<b>12</b>
<b>7 .Troubleshooting.....</b>	<b>13</b>
<b>8. After-sales Service.....</b>	<b>14</b>

# 1. Safety Precautions.

In order to avoid harm and property damage to users and other personnel, please carefully read the following important safety matters, please strictly abide by, and on the basis of full understanding of the content of the correct use. Before use, please read this manual carefully and use in strict accordance with the instructions. In case of any personal injury or property loss caused by improper use of this product, the Company shall not assume any legal liability.

## Interpretation of signs

 Forbidden Sign  Do not operate	 Warning Sign  Should strictly follow the requirements	 Attention Sign  The part that must be paid attention to
---	--	--

### ■ Forbidden



- Do not disassemble, install, or maintain the range hood for non-professional personnel.
- Non-professional maintenance personnel are absolutely prohibited to change the internal wiring of range hood without permission.
- Do not touch the power plug, electrical parts and power switch with wet hands. Otherwise, electric shock may occur.
- The fire should be put out in time when not in use. It is forbidden to bake the range hood directly by the fire, and make it hot and dangerous.
- Do not allow unsupervised children and the weak to use the range hood alone, otherwise it may lead to electric shock or other accidental injury.
- Do not modify, stretch, tie, or press the power cable. Otherwise, the power cable may be damaged and electric shock or fire may occur.
- Do not allow electrical parts such as motors, switches and connectors to get wet with water. Do not flush the range hood with water. Do not use the range hood when it is wet with water. If used, it will lead to electric leakage, electric shock and other accidents.

## ■ Warning



- Before cleaning range hoods and providing installation or maintenance services, disconnect the power supply to avoid electric shock.
- The exhaust gas from the range hood should not be discharged into the hot pipe used to discharge the smoke from burning gas or other fuels.
- When a range hood is used in conjunction with an appliance that burns gas or other fuel, the room must be well ventilated.
- If not cleaned according to the instruction manual, the range hood has the risk of fire.
- To avoid injury, do not put your fingers or other objects into the moving parts of the range hood.
- When the oil pan is on fire, please turn off the range hood immediately and use effective extinguishing methods to extinguish the fire, such as covering the open flame with a metal lid, closing the main gas valve immediately, and keeping combustible materials away from the open flame.

## ■ Attention



- The range hood should use a special power socket, and the special power socket should be reliably grounded.
- The ambient temperature of the range hood cannot exceed 40 ° C.
- Exterior parts (such as decorative sealing plates) are covered with protective films. Remove them carefully before use.
- If the power cable is damaged, it must be replaced by professionals from the manufacturer, maintenance department or similar departments to avoid danger.
- This appliance is an outdoor range hood, and the lampblack is discharged to the outside through the smoke pipe. Please ensure that the exhaust pipe is smooth, so as not to affect the smoke exhaust effect.
- The installation shall be carried out by professional personnel. After the installation and test run, the after-sales service personnel shall explain the use method to the user while there is no abnormal phenomenon.
- If you need to clean the inside of the range hood, please contact Macro after-sales personnel for professional cleaning.
- If need to use the AC power of more than 220V, please confirm with supplier for safety issue.

## 2 . Important Information

- If the range hood is not in use for a long time, remove the power plug from the socket.
- When installing a new range hood, if the accessories do not conform to the instructions, contact your local dealer or service center immediately. Please dispose of recyclable packaging materials in an environmentally friendly manner to maintain a good environment. Do not allow children to play with plastic film and packing cases, this may cause room accidents, so please keep packaging materials away from children, packaging materials are not toys.
- Disposal of old range hoods  
When the old range hood cannot be used, cut the power cable so that it cannot be powered on. Old range hoods contain reusable materials. Please help to dispose or recycle them to make a contribution to environmental protection.
- Before using a new range hood  
If the range hood is obviously damaged, do not install it. Contact your local dealer or service center immediately.
- To ensure that you can use the range hood correctly and safely, please read the manual carefully before using the range hood and strictly follow the precautions in the manual.

## 3. Product Information

### ◆ List of machine and accessories

The range hood is equipped with the following accessories, please check and accept them when unpacking.

No.	Name	Quantity	No.	Name	Quantity'
1	Instruction manual+guide for connection with the control app	1	6	Connection assembly	1
2	Hanging panel	1	7	Foot pad screw	2
3	Oil cup	1	8	Wood screw A $\Phi$ 4x 30	1
4	Chimney pipe $\Phi$ 180x1800	1	9	Plastic expansion tube A $\Phi$ 10x 40	1
5	Anti-stripping support	1	10	Plastic expansion tube B $\Phi$ 10x 60	4
			11	Wood screw B $\Phi$ 5x 60	4

### ◆ Main Technical Data

Name of Product	Range hood
Product Model Number	IKA-GREVEN
Rated voltage	220V~
Rated frequency	50Hz
Rated input power of main motor	320W
Maximum lighting power	10W
Rated input power of the device	330W
Air volume	2500m <sup>3</sup> /h
Wind pressure	750Pa
Maximum static pressure	1050Pa
Noise	45dB
Energy efficiency rating	Level 1
Normal odor reduction degree	95%
Instantaneous odor reduction	50%
Degree of oil separation	90%
Full pressure efficiency	28%
The net weight	27.5 kg
Gross weight	32.5 kg
Product size	896mm x 356mm x 920mm
Product package size	960mm x 413mm x 1030mm

#### Note:

- Note: 1. Automatic cruise booster mode is built in "AI constant suction "mode, and the maximum air volume can reach 2500m<sup>3</sup> /h;
2. This product is an intelligent product. In high speed mode, When the downward exhaust resistance is greater than the set resistance, the maximum air volume can reach 32m<sup>3</sup> /min;
3. The allowable difference between the measured value of air volume, wind pressure and maximum static pressure and the expressed value shall not exceed -10% of the expressed value;
4. The above data shall be measured according to standard test methods under environmental conditions stipulated by national standards.

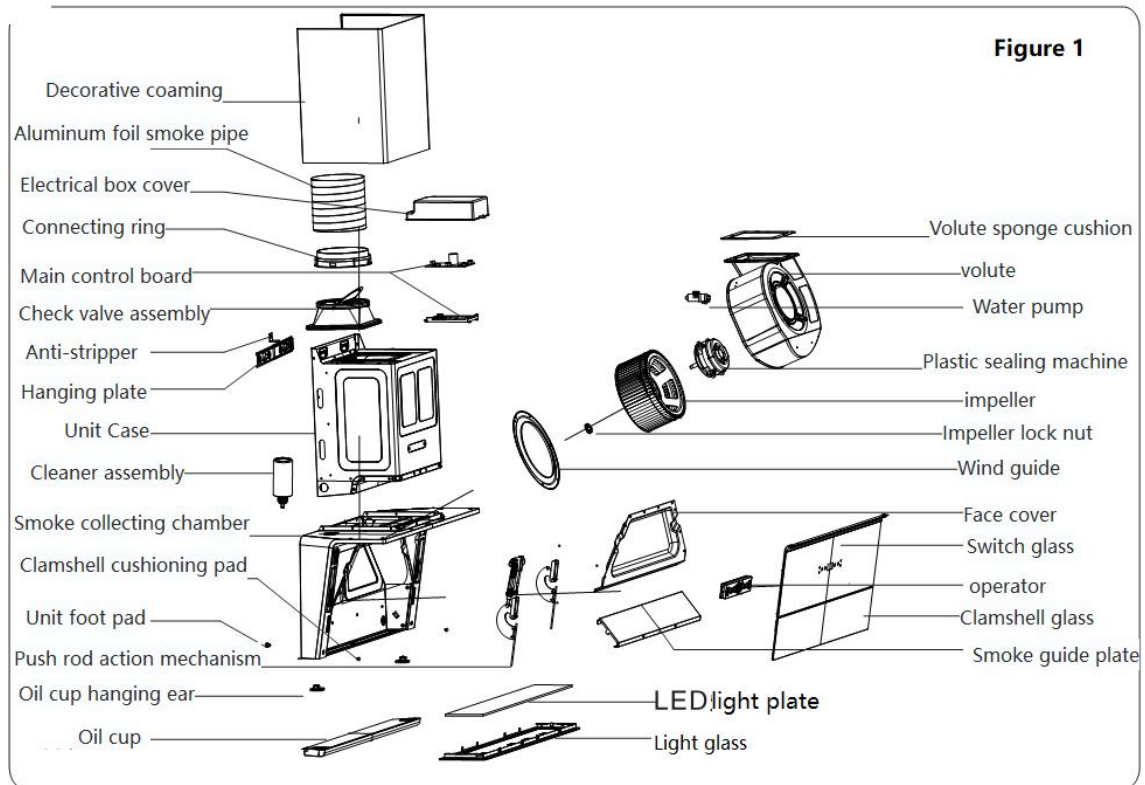
## 4. Installation Instructions

### ◆ Installation precautions

★ Special note: Macro products must be installed and maintained by our authorized installation and maintenance service providers, otherwise we will not be responsible for the accidents caused by installation and maintenance.

- If your kitchen is under renovation, do not expose the range hood, because construction materials, dust, paint, coatings and the gas they volatilize will corrode the surface of the range hood, and thus make the surface tarnish. Therefore, it is recommended that you install the range hood after the decoration is completed.
- Install the range hood on a non-flammable wall with sufficient supporting strength that can bear more than three times the weight of the range hood.
- To ensure the safety and smooth installation, please use the accessories delivered with the installation (especially plastic expansion tube and wood screw); When installing an expansion tube, ensure that the expansion tube is closely matched with the wall holes. Do not drill too large holes to prevent the expansion tube from loosening and causing accidental fall.
- Do not install the range hood in the bathroom or a place with high humidity. It may cause electric shock.
- When installing the lampblack machine, do not contact the steel bars in the building with wood screws.
- If the range hood is installed above the gas range, the distance must be at least 650mm. For details, see the procedure for installing a range hood.
- The width of the stove should not be larger than that of the range hood.
- The range hood is a household appliance, not suitable for industrial and commercial use, avoid use in special environment.
- In case of gas leakage, do not use the range hood; otherwise, there is a risk of fire.
- If you do not use the lampblack machine for a long time, unplug the power or turn off the switch on the socket.
- If you need to connect the smoke pipe directly to the public flue, do not insert the smoke pipe too deep into the public flue to avoid affecting the smoke exhaust effect.
- If you connect the pipe directly to the outside, extend the pipe at least 30mm out of the wall, and the outlet should be slightly downward to avoid rainwater backpouring.
- The relevant laws on emissions must be observed

## Name of main parts



### ◆ Preparing for Installation

- The surroundings

The range hood should avoid being installed in too many doors and Windows, forming too much air convection, and affecting the effect of lampblack removal.

- Preparing Tools

Before installing a range hood, prepare the following tools:

1. Impact drill (with drill bit)
2. Screwdriver
3. Tape measure

- Preparation of attachments

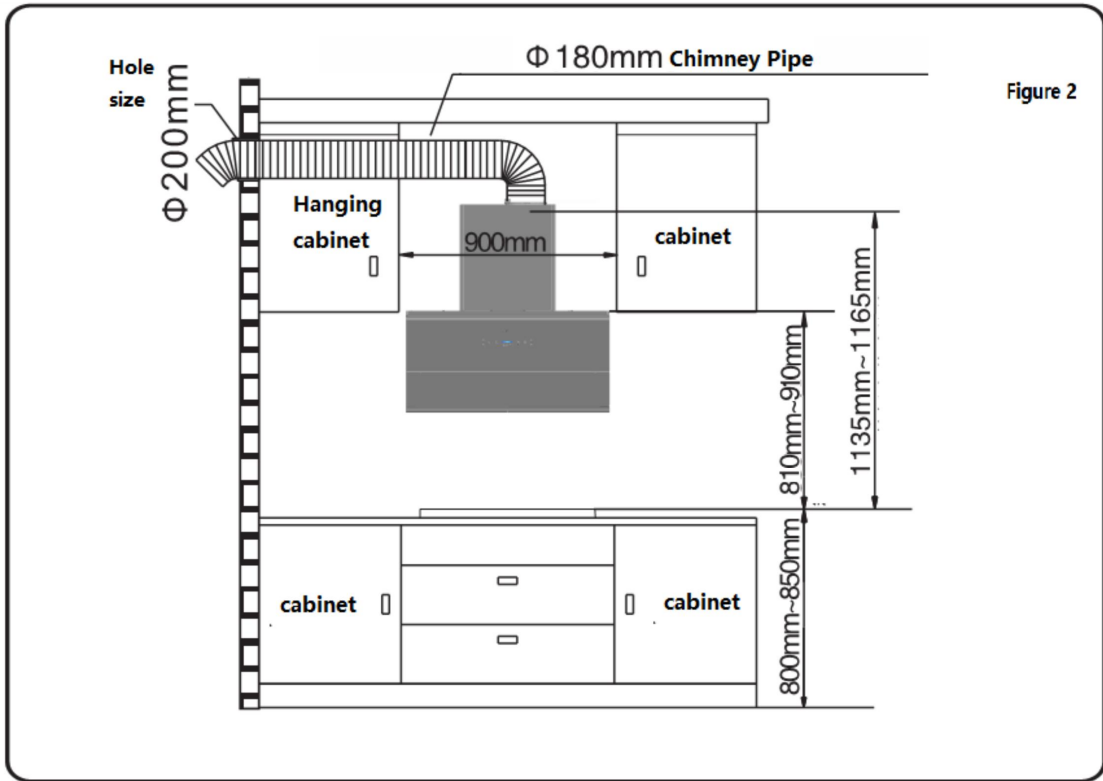
Accessories should be prepared when installing the range hood (see attachment list)

- Installation diagram

The distance between the air outlet and the exhaust hole of the range hood should not be too long. It should be less than 1.5m, and the number of turns should not be more than 2.

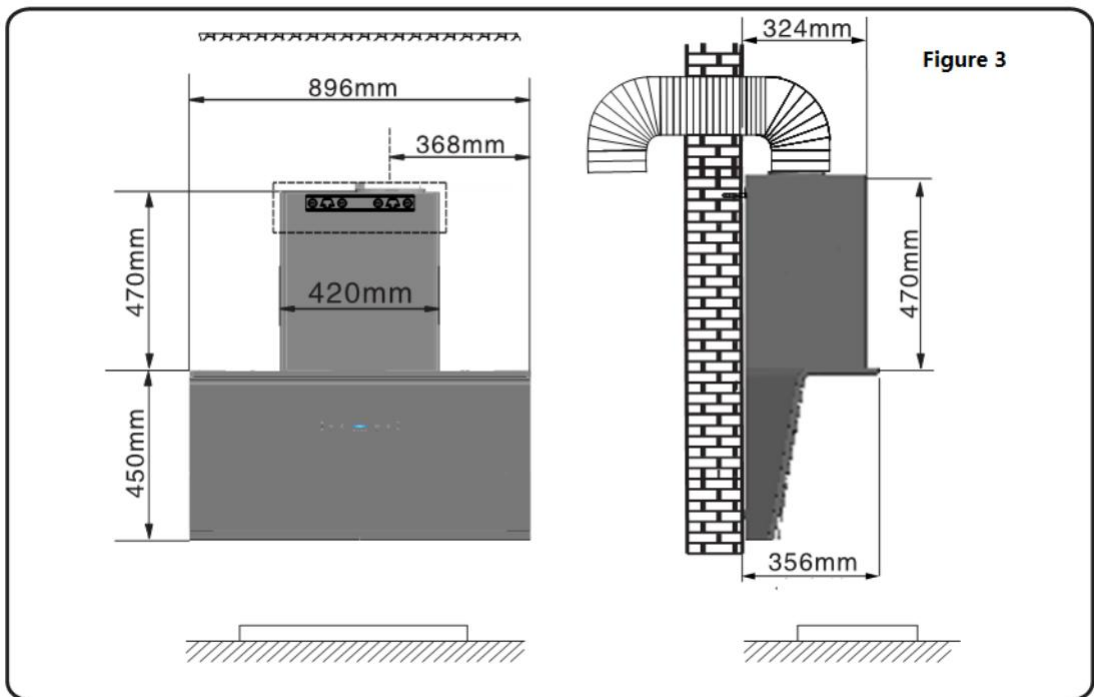
As with the cabinet, its installation diagram is shown in Figure 2.





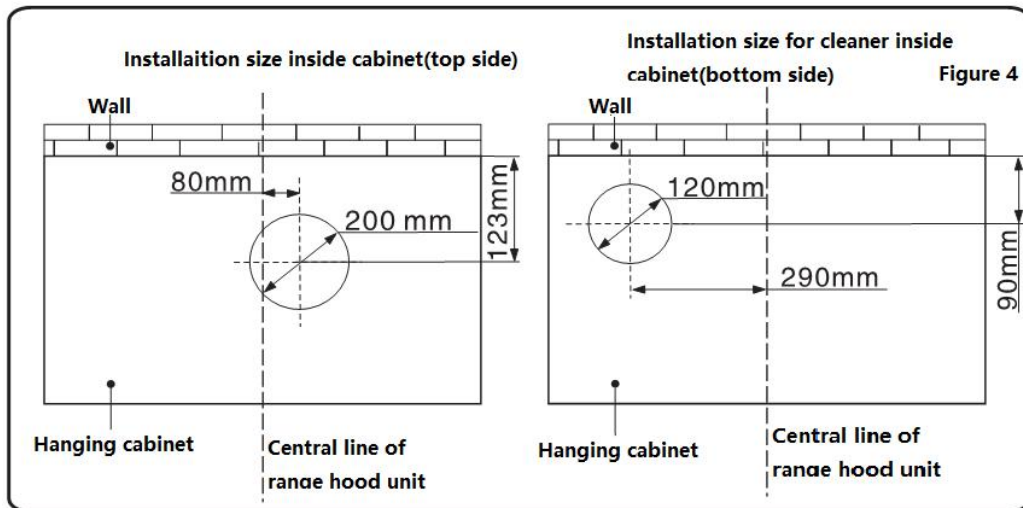
◆ **Mounting size drawing**

Installation dimensions are shown in Figure 3.



◆ **Opening size of Cabinet or ceiling for chimney pipe**

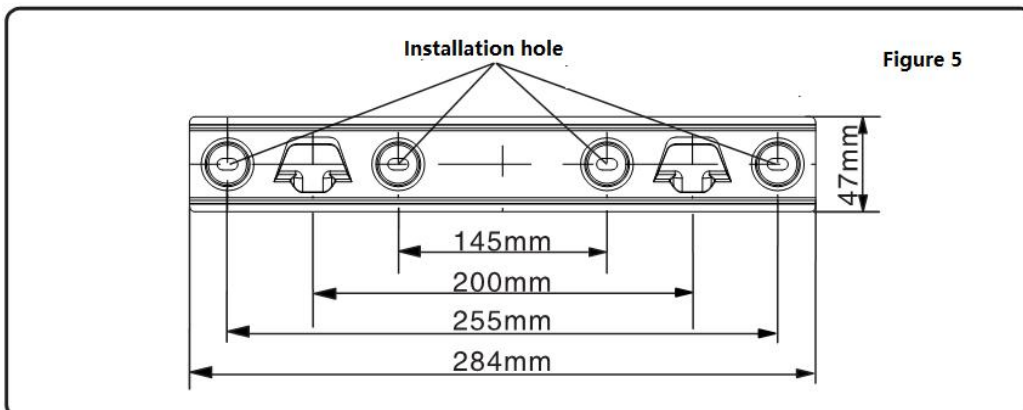
The size of the cabinet or ceiling smoke pipe is shown in Figure 4.



◆ **Installation Procedure**

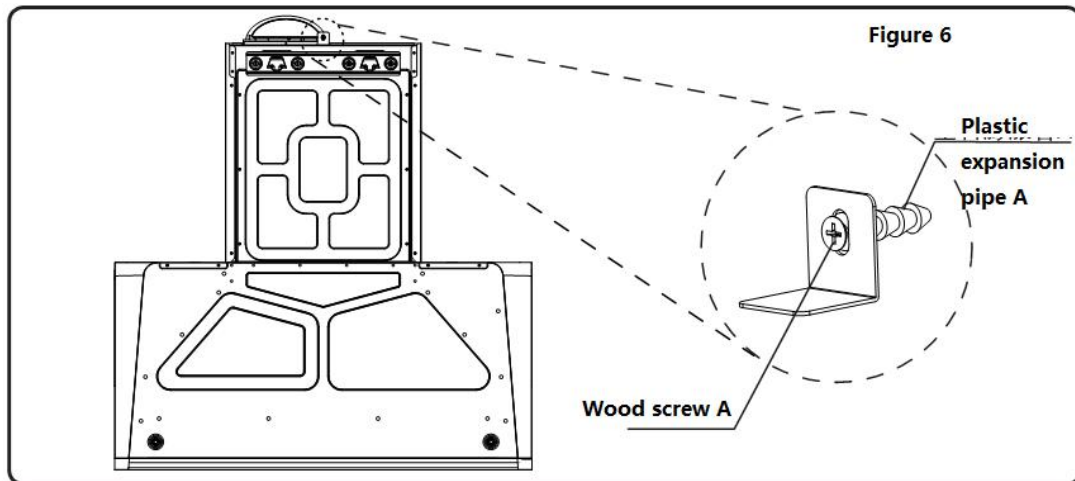
- Mounting plate

As shown in Figure 5, accurately determine the location of the mounting holes for the hanging plate at the corresponding positions on the wall, drill the mounting holes in the hole positions with a drill bit, firmly bury the plastic expansion tube B, and then tighten the hanging plate with the equipped wood screw B.



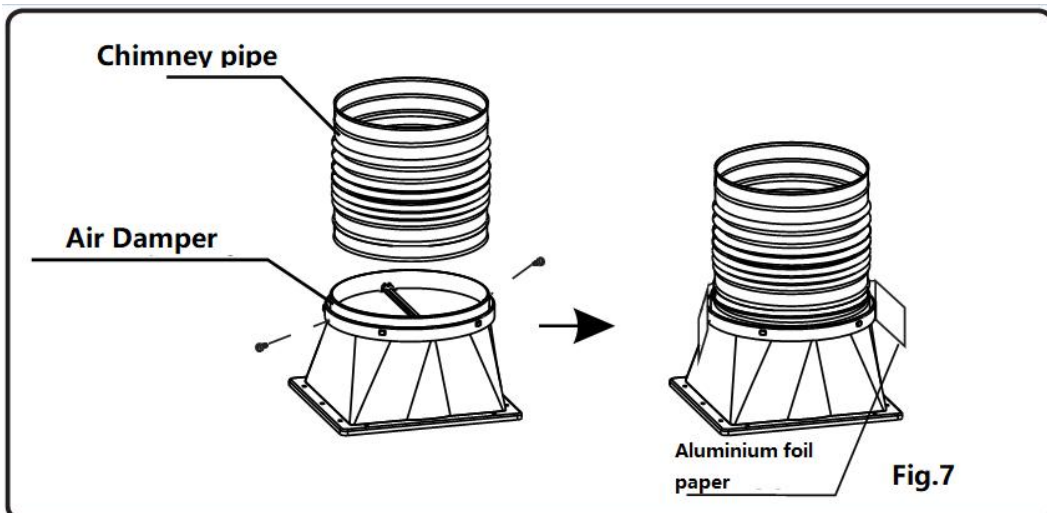
- Install the unit body

As shown in Figure 6, lift up the hood unit, align the mounting holes on the back of the unit case with the hooks on the hanging plate, drill the mounting holes in the hole positions with the drill bit, firmly insert the plastic expansion tube A, take out the anti-stripping sheet in the fitting bag, align it with the hole positions, and tighten the anti-stripping sheet using the equipped wood screw A to prevent accidental fall of the range hood.



- Installing a chimney pipe

Insert the pipe into the check valve as shown in Figure 7, then lock it with the self-tapping screw and wrap it with the aluminum foil.



- Install oil cup

Push the oil cup in along the oil cup hanging ear.

- Installation Confirmation

After the installation is complete, check whether the range hood is firm, switch on the power supply for the trial operation of the range hood, check whether the functions of the range hood are normal and whether the body has abnormal vibration, and then use it after confirming that it is correct.

## 5. Instructions for operation

### ◆ Control panel



#### ● Key Description



- **[Power] Switch button;**
- Delayed shutdown: When unit is running , press the [power] key to enter the delayed shutdown, then it will be running at low speed for 90s, then shutdown.



- **[AI constant suction ]button**
- AI constant suction function open/off button.
- Open the constant suction function, the system detects the pressure of public flue system in real time, and controls the fan speed to run according to the corresponding setting speed.



- **[Speed ] Touch control button**
- Low, high, stir-fry speed button.
- Under unit working condition, long press the speed button 2seconds to turn off the fan motor.
- Under unit off condition, long press the speed button 2seconds to open or close the flip plate of the unit.



- **[Smart Clean] Button**
- Smart Cleaning function on/off button; Once the function starts, the cleanser will turn into bubble to wash the wind wheel. Cleaning process runs for 3 minutes.
- If unit is not in Smart clean mode, long press [Smart Clean] button 2seconds to open the washing function, short press to close the function.  
[Smart Clean] when this function is running, the wind speed button, AI constant suction button and gesture control button are not operable.



- **[LAMP] button;**
- Light on/off button.



➤ **Oil cup status indicator**

- Oil cup status reminder indicator (after working for a period of time, the indicator lights up to prompt oil pouring).
- When the indicator lights up, long press the [Smart Clean] key 2s to close the reminder.



➤ **WiFi connection status display;**

- Wifi connect/disconnect indicator.
- For details about APP connection operation, please refer to the document attached for guidance of APP using.



➤ **Shortage of oil washing cleaner(the cleanser) indicator.**

- When the indicator is on, it's the lack of cleaner, need to replace with new cleaner. Long press the [oil washing] key 2s, close the reminder.



➤ **Intelligent linkage of Hob and hood status display:**

- Linkage of hood and hob: Follow below **{Standby Status}** to enter standby status of the hood, then long press the [lighting] button for 3s, then quickly(within 1 minute) press the control knob of the hob , the linkage can be complete, in this case the icon of [Intelligent linkage] will keep bright, and the hood will be turned on automatically and run at [AI constant suction] speed.
  - Close of linkage function: in the off state, long press the [lighting] button for 3s, then linkage can be canceled.

➤ **{Standby Status}**

- In the shutdown Status of the hood, long press 2 seconds of the [smart clean] button, and then short press once again, then is the standby Status.
- In Standby Status, only the power button lights up; The motor and lamp of the hood are off.



Open hood: Wave from left to right to start the hood.



Adjust the wind speed: Swing from left to right to enter the low speed, high speed, and stir-fry speed.



Shutdown: Swing from right to left to enter delay shutdown; Wave it again. The

unit turns off.

On/Off gesture: In off state, long press [Lamp]+[Power] button to switch on/off the gesture function.

## 6. Maintenance

Warning: In order to give full play to the best performance of the range hood and extend its service life, you should pay attention to regular maintenance, which must be carried out by professionals.

### Precautions

- When the range hood is running, do not put your hands into the operating area of the range hood.
- Maintenance and maintenance work must be carried out under the condition of power failure. During cleaning, prevent water from electric parts such as motors and controllers.
- If the power cord is damaged, it must be maintained by the manufacturer, its maintenance department or similar professionals to avoid danger.

### Maintenance Preparation

- Before maintenance, please unplug the power to ensure safety.
- Before maintenance, please wear protective gloves to avoid cutting fingers during cleaning.
- Please clean the stove before maintenance.

### Cleaning Steps

- Range hood surface
  1. It is recommended to clean the surface of the range hood immediately after using it.
  2. Please wipe the outer surface of the lampblack machine with a soft wet towel or a towel stained with neutral detergent, and then wipe the body with a soft dry towel to keep it clean.
  3. Do not scrub the surface with corrosive chemicals such as gasoline and alcohol, or abrasive cleaners such as toothpaste, detergent, or laundry detergent.
- **Oil cup**
  1. Check and clean the oil cup regularly. When the oil in the oil cup reaches the limit value, it should be cleaned in time to prevent overflow.
  2. Hold both ends of the bottom of the oil cup with both hands and pull forward horizontally to remove the oil cup and pour away the waste oil.
- **Impeller, fan cover**

In order to ensure the reliability and safety of the whole machine, the cleaning step is only to clean the oil net, for impeller, volute and other parts they should be cleaned by professionals, it is recommended to clean once every 6 months.
- **The whole unit**

In order to maintain good suction effect and long service life, the internal cleaning of the machine must be carried out by professionals, it is recommended to clean once every 12 months

## 7 .Troubleshooting

How to handle exceptions

Note: Non-technical personnel do not disassemble and repair

Common Faults	Cause of failure	Treatment Method
The motor does not run when the light is off	No power supply at home; Poor contact between plug and socket	Wait for the power supply to work in your home and try again, Have it checked by a professional
	Power cable break; The fuse is blown out	Call supplier for more information
The light is out; Motor rotation normal	The LED cold light is broken; The power module or control panel is faulty	Call supplier for more information
The light is on; Motor does not rotate	Motor over-temperature protection action; Burnt out capacitor; Motor burn out; The power module or control panel is faulty	Call supplier for more information
Violent body vibration; Increase in noise	Check whether the range hood is firmly suspended; There is too much oil on the impeller; Check whether external screws are loose	Hang the range hood securely; Please have it professionally cleaned;
	Check whether the internal screws are loose; Whether the impeller is installed properly; Impeller damaged or missing balance block	Call supplier for more information
The suction is not strong	Too much air convection or ventilation not good in the kitchen; Smoke pipe is too long, too many turns	<ul style="list-style-type: none"> <li>● Reduce air convection or moderate door opening, window</li> <li>● non-technical failure</li> </ul>
	It's too windy outside; Installation height is too high	Call supplier for more information

The shell feels tingling	It's damp and the housing is not properly grounded	Have it checked by a professional
--------------------------	--	-----------------------------------

## 8. After-sales Service

If your range hood does not work normally, please contact the special maintenance department designated by the company or the service center in each region of the company. We will serve you warmly. Thank you for your cooperation!

Attached: Electrical schematic diagram (circuit subject to change without notice!)

