



## IKA-GARNET

### BUILT IN GAS HOB

#### **CONTENTS**

CHILDREN'S SAFETY .....	1
DESCRIPTION OF THE HOB .....	3
INSTRUCTIONS FOR USE .....	4
OPERATING INSTRUCTIONS .....	4
CAUTION WHEN USING .....	8
CLEANING AND MAINTENANCE .....	9
ADDITIONAL INFO (SAFETY CLAUSES) .....	10
INSTALLATION PREMISES .....	11
ASSEMBLY OF THE FIXING BRACKET .....	14
TROUBLESHOOTING .....	15
MAIN SPECIFICATION .....	16



## MAIN SPECIFICATION

PRODUCT	BUILT IN GAS HOB
MODEL NO	IKA-GARNET
GAS CATEGORY	I3B/P(30)
TYPES OF GAS	LPG
GAS PRESSURE	28-30mbar
TOTAL HEAT INPUT Q <sub>n</sub>	11.6kW(844g/h)
BURNER SIZE	(Left)130mm,(Right)130mm
GAS CONSUMPTION(kW)	5.8kW(422g/h),5.8kW(422g/h)
COUNTRY OF DESTINATION	MALAYSIA
<b>WARNING:</b> This appliance must be installed in accordance with the regulations in force and only used in a well ventilated location. Read the instructions before installing or using this appliance.Forbid to place on the surface of combustible objects.	

## CAUTION

In case of hotplate glass breakage:

- Shut off all burners immediately and disconnect the gas hose.
- Do not touch the appliance surface,do not use the appliance.

This appliance is not connected to a combustion products evacuation device. It shall be installed and connected in accordance with current installation regulations. Particular attention shall be given to the relevant requirements regarding ventilation.

## CHILDREN'S SAFETY

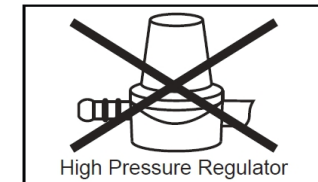
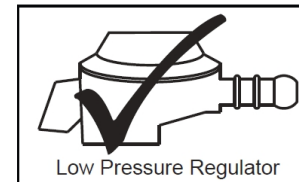
- This appliance must only be used by adults. Make sure that children do not touch the controls or play with the appliance.
- The exposed parts of this appliance heat up during cooking and remain hot for some time even after it is switched off. Keep children well away until the appliance has cooled down.

## CLEANING AND MAINTENANCE

- Keep the appliance thoroughly cleaned. Food residues may cause the risk of fire.

## SERVICE AND PARTS

- In the instance of malfunctions, never attempt to repair the appliance yourself.
- Repairs by unauthorized technician may cause damage and accidents. Please refer to the contents of this manual. If you do not find the necessary information, contact the authorized service center.
- Servicing work on this appliance must be carried out by an authorized technical service centre. Always request the use of original spare parts.
- Use only original parts that match with the appliance, do not modify or add parts or accessory to use with the appliance.
- This appliance is designed suitable for LPG gas source only. Should you required to change to other gas sources, please contact our service centre for purchasing of parts to conversion.
- Caution: Use only low pressure regulator for this appliance.



## For Your Safety

These instructions have been drawn up for your safety and that of others. You are therefore requested to read them carefully before installing and using the appliance. Keep this instruction manual for future reference as necessary. If the appliance is sold or moved, make sure that the manual is handed over to the new user.

### INSTALLATION

Installation of the appliance and its connection to the gas supplies must only be carried out by qualified technician. It is important to check that the appliance is connected completely to the gas supplies before using.

- It is risky to modify or attempt to modify the characteristics of this product.
- After removing the appliance from the packaging, make sure that it is not damaged and in perfect condition. Otherwise, please contact your dealer before installing the appliance into operation.
- The manufacturer declines all responsibility in case of failure to comply with the accident prevention regulations.
- Make sure that air is able to circulate freely around the appliance. Installing the appliance into the built-in cabinet must provide sufficient moving air flow at the bottom of the appliance to avoid hazard.
- Prior to installation, ensure that the local distribution conditions (nature of the gas and gas pressure) and the adjustment of the appliance are compatible.
- Use of a gas cooking appliance produces heat and moisture in the room in which it is installed. Ensure that the room is well ventilated by keeping the air intakes open or by installing an extractor hood with discharge pipe.
- If the appliance is used intensively for a long time the effectiveness of the ventilation will have to be increased, for example by opening a window or increasing the power of any electric extractor fan.
- Make sure the cabinet or the bottom of the hob is well ventilated and not in a complete closed compartment.
- After installation, please ensure no gas leakage is detected before using the appliance.

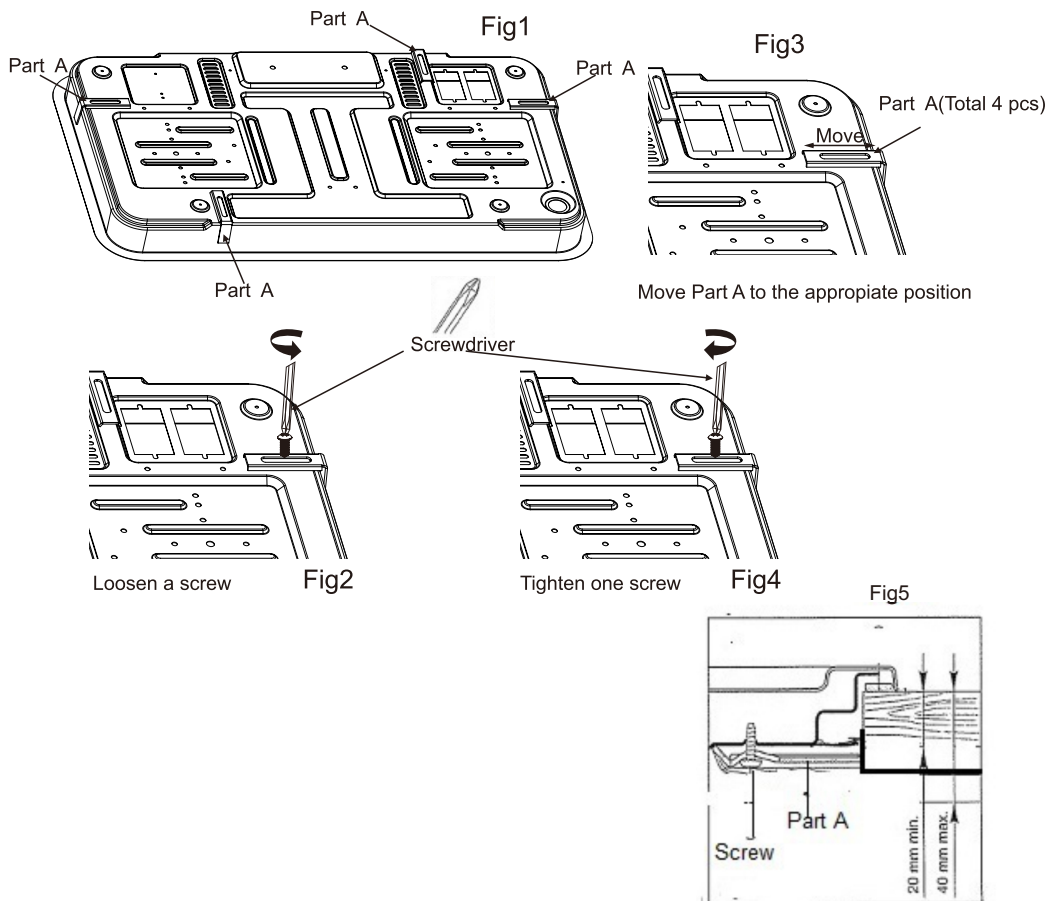
### TROUBLESHOOTING

Malfunction	Causes	Solution
After the ignition knob is released, the flame is extinguished.	The ignition knob is not turned on properly.	Turn the ignition knob counter clockwise.
There is ignition but the burners do not lit.	Air is trapped in the rubber gas hose.	Repeat turning the ignition knob few times.
	Ignition point is far from the inner ring cap.	Move the ignition pin 3-5mm from the inner ring cap.
	The ignition point is wet or dirty.	Clean or dry the ignition point.
	Insufficient gas supply.	Replace a new gas cylinder.
Flame flickering, yellowish or extinguished when operating.	The air regulator is not adjusted.	Adjust the air regulator until even flame achieved.
	Insufficient gas supply.	Replace a new gas cylinder.
Smell of gas.	Gas leakage from cracks of rubber hose.	Replace the rubber hose.
	Loose connection of rubber hose.	Secure the rubber hose with the hose clamp.

If the above problem persists, turn off the appliance immediately. Contact the authorized service technician for repair.

## ASSEMBLY OF THE FIXING BRACKET

1. The cooking hob is supplied with a set of 4 pcs fixing bracket Part A(Fig1) and two screws each for fixing into the kitchen cabinet with a worktop (from 2 to 4cm deep(Fig5)).
2. Slot in the cooking hob into the aperture of the cabinet and set it correctly
3. Move Part A to the appropriate position(Fig3)
4. Loosen the screws and adjust the bracket Part A(Fig2) until the cooking hob is firmly secured and then tighten the screw.(Fig4)



## DESCRIPTION OF THE HOB



- |                   |                  |
|-------------------|------------------|
| 1. Sintered Stone | 5. Ignition Knob |
| 2. Gravy Tray     | 6. Pan Support   |
| 3. Ignition Point | 7. Burner Cap    |
| 4. Thermocouple   |                  |

## INSTRUCTIONS FOR USE

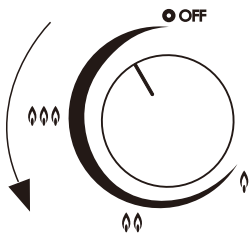
The symbols on the control knobs corresponding to the following:

- OFF No gas flow
- MAX Maximum gas flow
- MIN Minimum gas flow

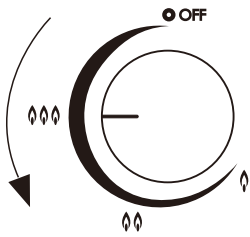
## OPERATING INSTRUCTIONS

Before using the appliance, make sure the ignition knob is in the “OFF” position and turn on the main cock. After using, ensure to turn off the ignition knob and main cock.

### TURN ON THE APPLIANCE

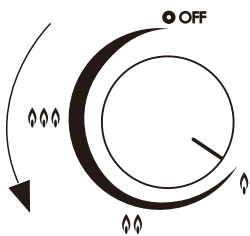


Press and turn the ignition knob counter anti-clockwise for 1 to 2 seconds to higher flame position slowly. Make sure that the burner has lit.

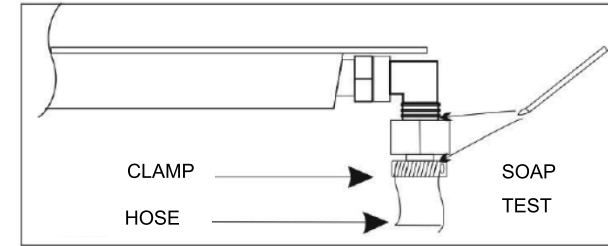


When you start to use the unit for the first time or the unit has not been used for a long period of time, it sometimes happens that the burner is not ignited easily. This is because the gas needs to fill up the rubber hose before reaching to the burners. After lighting the flame, keep the knob pressed for about 10 seconds. This is necessary to heat up the thermocouple and activate the safety valve (if any), which would otherwise cut off the gas flow.

### CONTROLLING THE FLAME



Control the knob between max and min to regulate the flame. Turn the knob counter anti-clockwise to the minimum position to set the lowest cooking output level.



- Formation of bubbles indicates leakage and must be tightened the hose clamp and check on all joint parts to ensure there is no faulty.
- Repeat the soap test until everything is fine.
- If there is a bubble after the soap test, please contact authorized service technician.

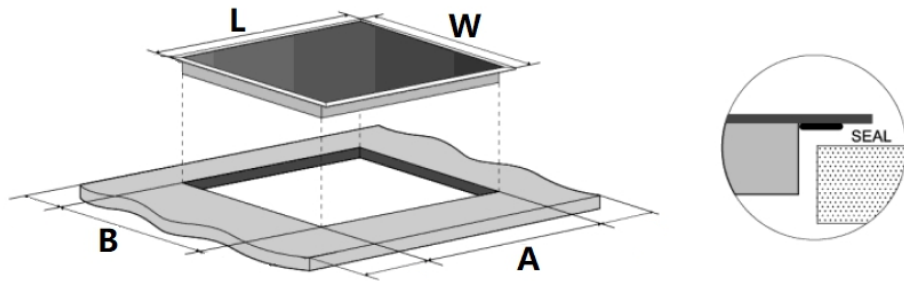


**Never use a flame to make this check.**

### Discharge of flue gases

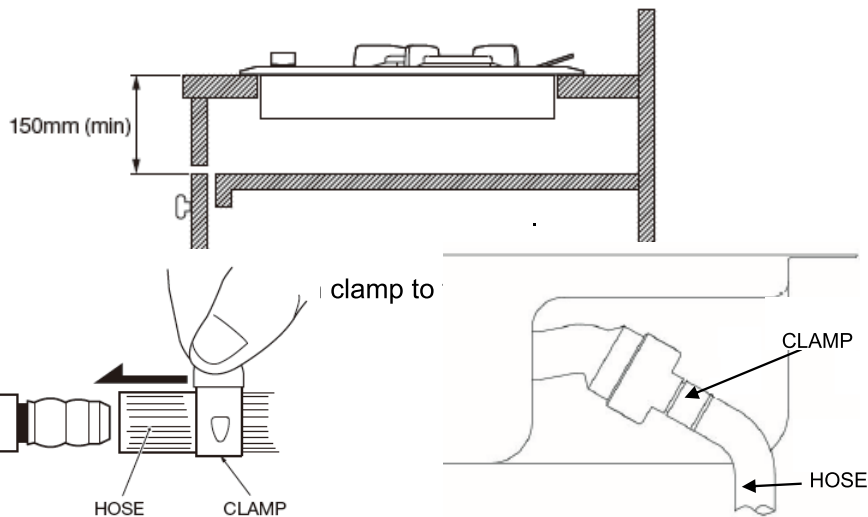
Gas cooking appliances must discharge their flue gases through hoods connected directly to flues or the outdoors. If it is not possible to install the hood an electric fan must be installed on the outside wall or the window of the room, provided it is possible for the ventilation opening to be increased in proportion to the delivery rate of the fan.

For a kitchen, the delivery rate of this electric fan must guarantee an hourly air exchange of 3-5 times its volume. In both instances, the use of flues already used by other appliances to discharge the flue gases is forbidden.



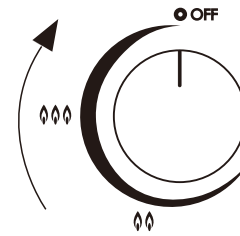
Model	L	W	A	B
IKA-GARNET	750mm	430mm	650mm	350mm

- If the cabinet is placed underneath the hob, the recommended distance from the surface of the kitchen worktop should be more than 150mm. Please refer to diagram below.



Upon complete of gas installation connections, it is compulsory to check for the gas leakage at the joint with soap test.

- Turn the burner knob in OFF position and turn on gas supply regulator.
- Apply soap test to joint on connector and hose as below.



Turn the ignition knob clockwise up to the OFF position without pressing it. The gas will stop supply to the burner and the burner will be switched off.

Remarks: Always make sure the ignition knob is at OFF position when not in use.

**ATTENTION:** If the flame does not light after a few attempts, check that the burner cap and burner base are correctly positioned.



Burner ring is not positioned properly



Burner ring is upside down



Burner ring is placed correctly

**CAUTION:** Always ensure the burner cap is placed in its original position correctly as shown to avoid any incident and damage its original shape. The manufacture denies all claim arise from the burner due to improper placement of the burner ring.

### DURING USE

This product is designed to cook food for household and for non-professional purposes. It should not be used for any other purpose.

- After using the appliance, make sure that all controls are in "OFF" position.
- If you use an electrical socket close to this appliance, make sure that the cables of the appliances you are using are distance away from the cooking zones of this appliance.

### RISK OF DEFLAGRATION

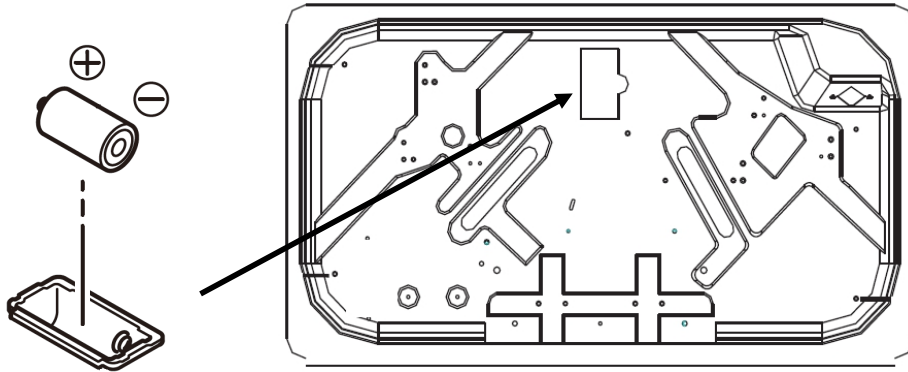
In the event of the burner flames being accidentally extinguished, turn off the burner control knob and open a window or the door to the room. Do not attempt to re-ignite the burner for at least 1 minute.

The use of a gas cooking appliance results in the production of heat, moisture and products of combustion in the room in which it is installed. Ensure that the kitchen is well ventilated especially when the appliance is in use: keep natural

ventilation holes open or install a mechanical ventilation device (mechanical extractor hood)

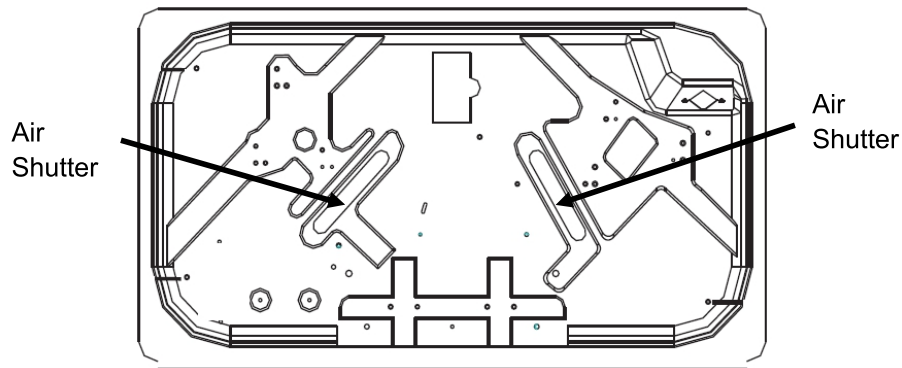
Prolonged intensive use of the appliance may call for additional ventilation, for example opening of a window, or more effective ventilation, for example increasing the level of mechanical ventilation where present.

## REPLACE A BATTERY (1.5V SIZE D)



In the instance of a power cut, replace a new battery 1.5V x 1 Size D at the bottom of the appliance.

## ADJUSTMENT ON AIR SHUTTER

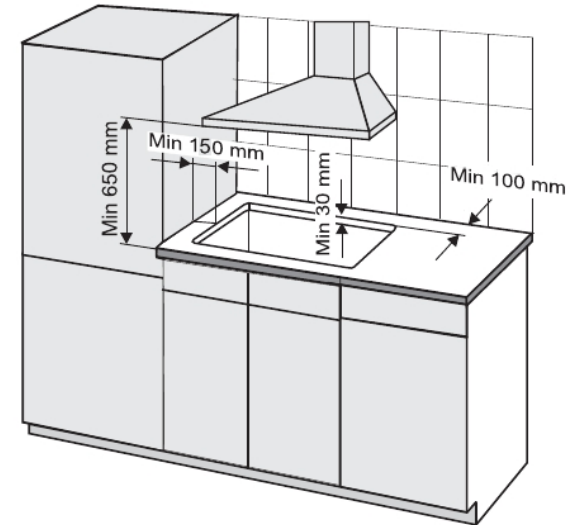


## INSTALLATION PREMISES

For proper operation of a gas appliance, the air necessary for the combustion of the gas must be able to flow into the room naturally. The air must flow into the room directly through openings in the outside walls. These openings must have an unobstructed cross-section not less than  $2\text{m}^3/\text{h}$  for each kw of power (see total power in kw on the appliance rating label).

This opening must be constructed so that it will not be obstructed from inside or outside, or constructed close to the floor. The opening is recommended to be on the side opposite to that on which the flue gases are discharged. If it is not feasible to provide these openings in the room where the appliance is installed, the necessary air may be taken from an adjacent room, provided that:

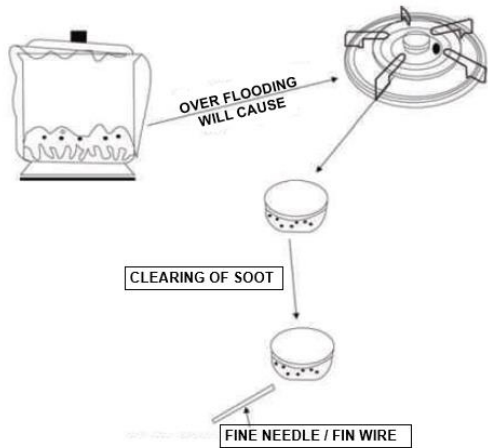
- This room is not a bedroom or a hazardous environment;
- Install the built-in hob in a well-ventilated room and keep it away from any combustible or flammable objects such as paper or oil.
- Place the built-in hob on a stable and levelled surface.
- If the built-in hob is to be installed close to combustible objects (such as wooden walls, wooden shelves), it should be installed at least 150mm from the side walls. Even if the combustible material is protected by stainless steel sheet, a clearance of 150mm is required for safety purpose. The clearance between the appliance and above combustible shelves or the cooker hood must be at least 650mm.





## ADDITIONAL INFO (SAFETY CLAUSES)

Consistently clearing the blocked ring hole to prevent backfire. During cooking, prevent the gravy from over flooding the gravy tray.



The ring hole is blocked by gravy due to over flooding. It will result to happen:

1. Back fire may cause breakage of panel.
2. Flame extinguishes/cannot sustain.

To clean the inner ring cap which blocked with gravy or soot, please wash the cap with water to clean up the gravy covered on the surface (Do not wash when the cap is hot after using).

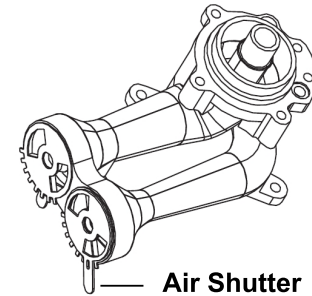
Then use a fine needle, pin or wire, (size approve.  $\leq 1\text{mm}$ ) to clean the hole that still blocked with gravy or soot. Fit the cap back to original position when it is completely dry.

## INSTRUCTIONS FOR THE INSTALLATION TECHNICIAN



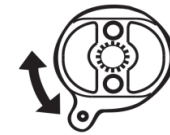
**CAUTION:** This appliance must only be installed and used in rooms with permanent ventilation to local standards.

Installation of the appliance and its connection to the gas supplies must only be carried out by qualified technician. Before any procedure, it is important to check that the appliance is DISCONNECTED from the gas supplies. The Manufacturer declines all responsibility for any damage arising from installation in breach of the regulations in force or from failure to comply with the accident prevention regulations.



**Air Shutter**

Turn up and down to adjust



Should the flame be of a yellow flame, burning black smoke, floating flame or deposit black soot beneath the cooking utensils, this would indicate mis adjustment of the air shutter. In order to obtain the best flame output, adjust the air shutter under the appliance by turning the air shutter up and down direction until the blue color flames are obtained.

## EXAMPLE:



### Perfect amount of air

The flame is transparent blue and the difference between the inner flame and the outer can be clearly seen.



### Insufficient air

The flame turn red and unstable.



### Too much air

The flame is short and flutters.

## FOR CORRECT USE OF THE HOB

For lower gas consumption and better efficiency, use only flat-bottomed pans of dimensions suitable for the burners, as shown in the table at the bottom. Also, as soon as a liquid comes to the boil take care to turn the flame down to a level that will just keep it boiling.

Burner	Minimum pan diameter	Maximum pan diameter
Standard	180mm	220mm



**During cooking processes involving fats or oils, watch your foods carefully because these substances may catch fire if brought to high temperatures.**

## CAUTION WHEN USING

1. Only use the appliance for cooking purpose only.
2. Do not hang up clothes, towel and etc to dry on the unit.
3. Do not use oversized hot plate which totally covers the burner surface.
4. If the flame is flickering or yellow colour, do not attempt to operate the appliance (Please refer to adjustment on air shutter).
5. Make sure the air shutter is well adjusted and the flame is properly burning.
6. Do not use a large iron plate to cover burners.



7. In case of abnormality, including strange sound, abnormal combustion when the burners are lit, turn off the burners and the main cock immediately and contact the authorized service technician.
8. When the appliance will not be used for a long period of time, make sure the cock is turn off.



**Warning: The inappropriate use of gas hob can cause accidents.**

**Avoid opening cabinet door beneath the hob when the hob is in use.**

## CLEANING AND MAINTENANCE

Before carrying out cleaning or maintenance, disconnect the appliance from the electrical mains and gas supplies then allow it to cool down.

### GENERAL CLEANING

Wash cast iron with lukewarm water and detergent. Do not use abrasive cleaner which might damage them.

Wash the burner caps often with boiling water and detergent, taking care to remove all deposits after cooking.

The trivet can also be washed in a dishwasher.

For stubborn dirt, clean using non-abrasive detergents with lukewarm water. Do not use scouring pads, steel brush or acids for cleaning.

Clean the hob regularly with a soft cloth with lukewarm water and a little liquid detergent. Do not use the following products:

- bleaches;
- soaped scouring pads;
- steel brush scouring pads;
- stain removers for baths or sinks.

If the hob gets very dirty, use specific commercial cleansing products.

### IGNITION PLUG

Automatic burner ignition is provided (when installed) by a ceramic plug and a metal electrode. Periodically clean these parts of the hob thoroughly. In addition, to avoid ignition difficulties, check that the cavities in the burner are not obstructed.