



Range Hood User Manual

Model No.

IKA VOLCANO

IKA-VOLCANO PLUS

IKA ALEXA

IKA-HATTEN

IKA-MAINZ

From the Manufacturer

Please read this user manual carefully before attempting to operate the appliance and keep it in a safe place for future reference.

This appliance and its packaging are produced by processes that minimize waste and respect the environment. Please help us to continue this effort to protect the environment by using the appliance efficiently and dispose of the packaging in a responsible manner.

FOR THE USER

1. Safety Instruction

Warning



PLEASE READ THIS SECTION THOROUGHLY BEFORE ATTEMPTING TO OPERATE THE APPLIANCE

- 1.To ensure adequate ventilation in the room when the range hood is in use at the same time as gas/fuel burning cooking appliances (this is not applicable to appliances that only discharge the air back into the room).
- 2.There is a fire risk if cleaning is not carried out in accordance with the instructions.
- 3.To avoid using food products that produce flame under the range hood.
- 4.Do not “flambé” food (is a cooking procedure in which alcohol is added to a hot pan to create a burst of flames) under the range hood.
- 5.Sufficient air is needed for proper exhausting of gases through flue (chimney) of fuel burning appliances.
- 6.This appliance is not intended for use by persons (including children) with reduced physical, sensory, mental capabilities, lack of experience and knowledge.
- 7.To reduce risk of fire and to properly exhaust air and to ensure to duct air outside. Do not vent exhaust air into spaces within walls, ceilings, into attics and crawl spaces.

Installation

1. This appliance must be installed or repaired by a qualified technician only.
2. Do not modify any part of this appliance by yourself.
3. To ensure the location in which this appliance is installed has good and permanent ventilation.
4. In ducted mode, there must be one or more permanent air inlet. The air collected must not be discharged into a duct used to blow off smoke from other appliances fed with electricity.
5. The distance between the bench to the lower part of the hood must not be less than 60cm.
6. Use an electrical connector with earth that is correct for your location.
7. To check the voltage in your area correspond to the appliance as indicated on the rating label.
8. Do not connect the hood to a duct that carries combustion fumes (e.g. fireplace).



Intended For Household Use

- 1.This product is designed for household use only and should never be used for commercial applications.
- 2.After use, always ensure that all controls are in the "OFF" position.
- 3.When frying with a gas flame, take particular care not to allow the oil or grease in the pan to catch fire.

Cleaning, Maintenance & Service

It is very important to clean and maintain the grease filters regularly (at least once monthly) to improve its efficiency in eliminating heat and contaminated air in the kitchen. Heavy oil deposits is a fire hazard. Hood surface should be cleaned with soft cloth and non-corrosive detergent.

Important: Never attempt to repair this appliance by yourself. Always refer to qualified Service Technicians. For safety precaution, always purchase the original replacement parts.

Always switch off the power and unplug the connection before conducting maintenance or cleaning.

Electrical Cord

- 1.To ensure the electrical cord is not exposed to heat, chemical or sharp objects.
- 2.If the electrical cord is damaged, it must be replaced by the manufacturer or its service agent or qualified electrician.

2. Hood Description

Ducted or Re-circulating mode

Depending on your requirement, this appliance can be configured to operate in the ducted or re-circulating modes.

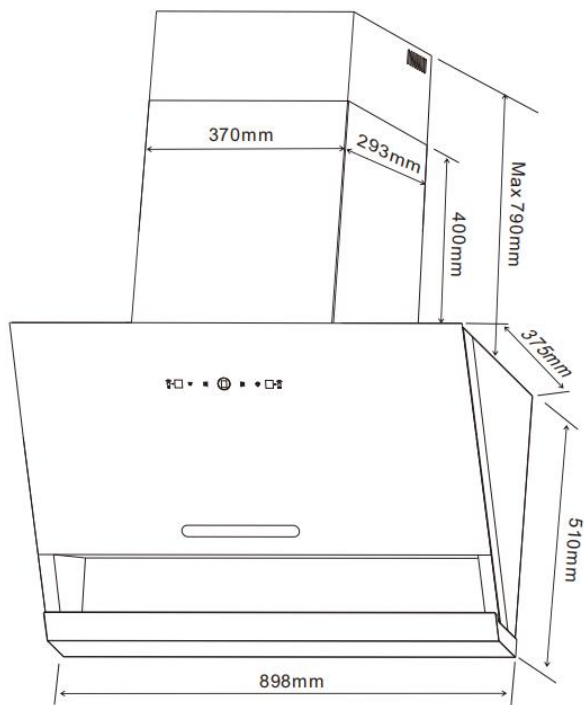
DUCTED MODE: Fire proof ducting system of 160mm or 180mm diameter vent the fumes through a suitable outlet. In the ducted mode, only the aluminum grease filters are installed.

RECIRCULATING MODE: Fumes are filtered for grease and odour through the aluminum grease filters and the charcoal filters respectively and re-introduced into the kitchen environment. In re-circulating mode, both the aluminum grease filters and the charcoal filters should be installed.

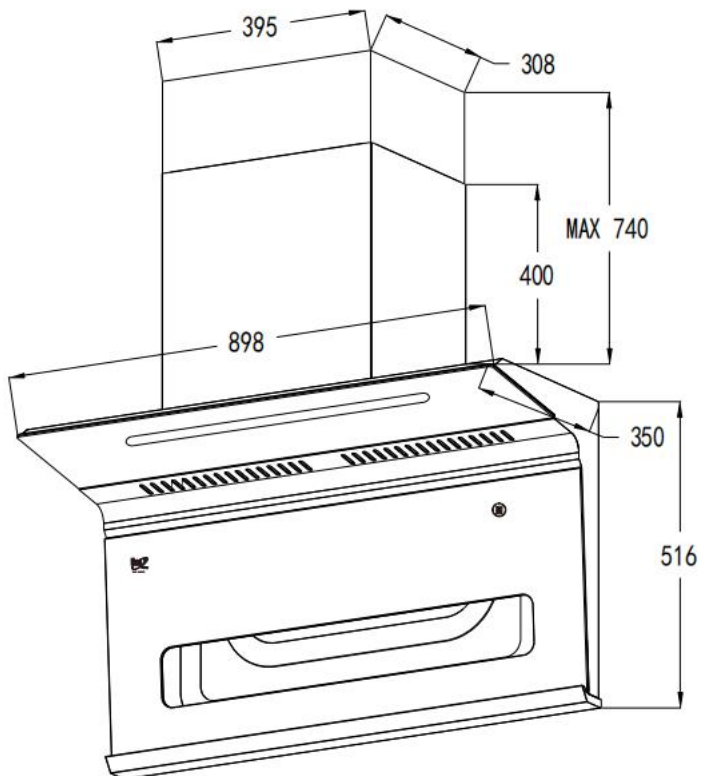
Speed Control

1. The hood is equipped with a 3 or 4 speed mechanical/electronic controls.
2. To use the low speed for simmering, medium speed for light cooking. To use the high speed for frying or heavy cooking.

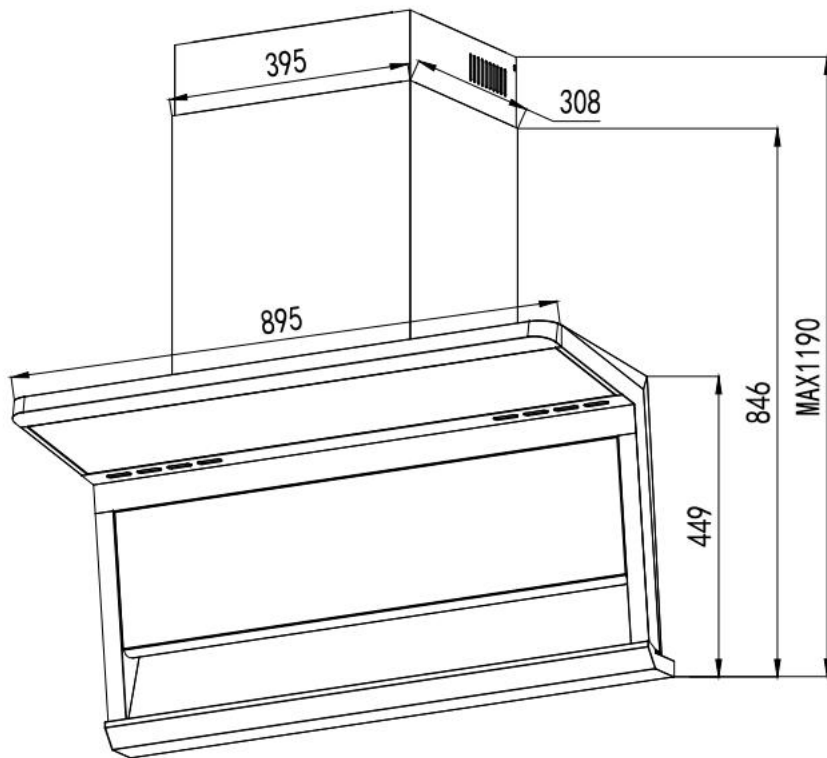
3. Dimension Diagrams



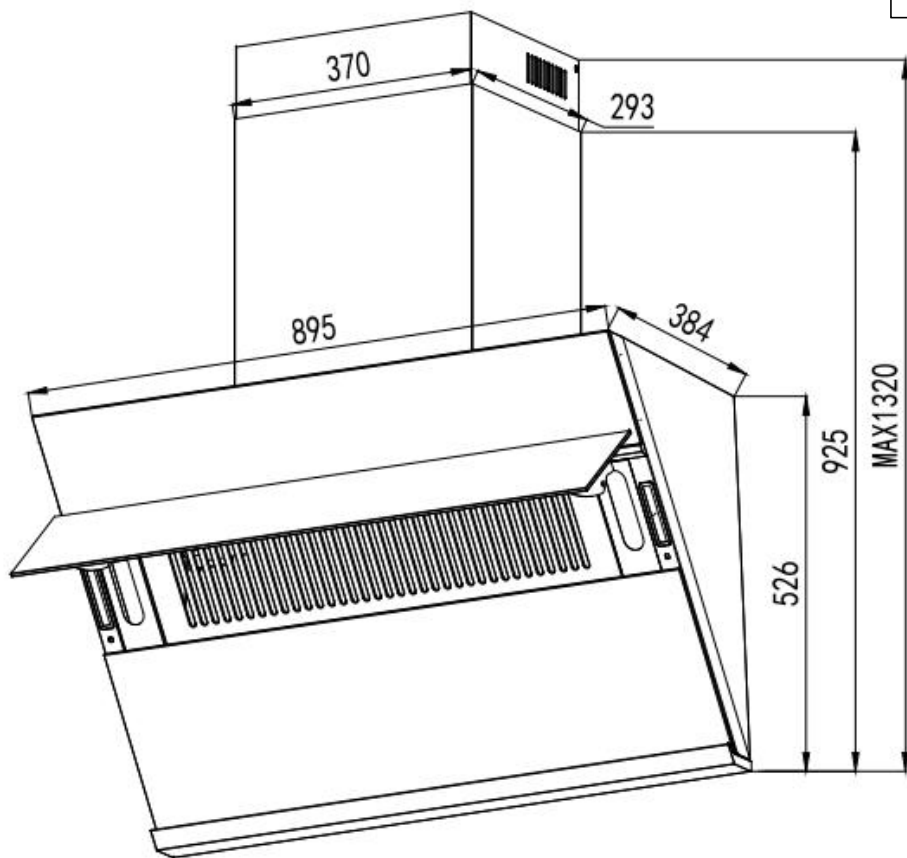
IKA VOLCANO
IKA-VOLCANO PLUS



IKA ALEXA



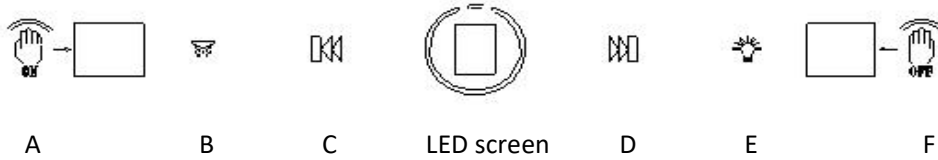
IKA-HATTEN



IKA-MAINZ

4. Instructions for use

A. Touch control For IKA VOLCANO AC 280W motor with 1-2-3 speed .



Wave A, Within 10-15cm distance from the switch, wave once from left to right to turn on power (LED screen shows "1"). Wave to the right, the fan runs at mid speed (LED screen shows "2"). Wave to the right again, the fan runs at high speed (LED Screen shows "3"). "Repeat this cycle"

Press B, In non-working state, press B for 3 seconds, oil removing function will operate for 10 minutes. Press again, turn off oil removing function. The fan will automatically operate at high speed for 1 minute after the 10 minutes cleaning function.

In working state, press B once for delay power off, touch C and D for select the time for a delay function from 1min to 9 mins!

Press C once, When the fan is working at low speed (LED screen shows "1"). Press C once, the fan runs at mid speed (LED screen shows "2"). Press C again, the fan runs at high speed (LED Screen shows "3").

Press LED screen, turn on power. Press it again, turn off power.

Press D once, When the fan is working at high speed (LED screen shows "3"). Press D once, the fan runs at mid speed (LED screen shows "2"). Press D again, the fan runs at low speed (LED screen shows "1").

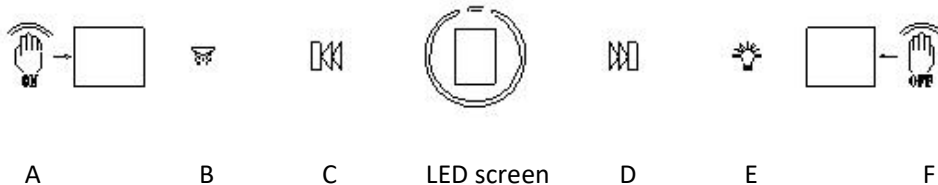
Press E, turn on the light. Press again, turn off the light.

In non-working state, press E for 3 seconds, oil removing function will operate for 10 minutes. Press again, turn off oil removing function. The fan will automatically operate at high speed for 1 minute after the 10 minutes cleaning function.

Wave F, Within 10-15cm distance from the switch, wave once from right to left to turn off power.

B. Touch control For IKA ALEXA / IKA-VOLCANO PLUS

DC 200W motor with 1-3-6-9 speed .



Wave A, Within 10-15cm distance from the switch, wave once from left to right to turn on power (LED screen shows "1-3-6-9"). "Repeat this cycle"

Press B, In non-working state, press B for 3 seconds, oil removing auto-clean function will operate for 10 minutes. Press again, turn off oil removing function.

In working state, press B once for time delay, touch C and D for select the time for a delay function from 1min to 9 mints!

Press LED screen, turn on power. Press it again, turn off power.

Press C When the fan is working at low speed (LED screen shows "1-3-6-9"). Plus speed.

Press D When the fan is working at high speed (LED screen shows 9-6-3-1"). Minus speed.

Press E, turn on the light. Press again, turn off the light.

In non-working state, press E for 3 seconds, oil removing auto-clean function will operate for 10 minutes. Press again, turn off oil removing function.

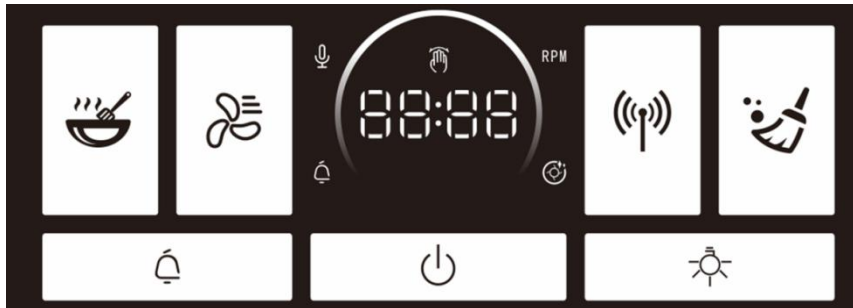
Wave F, Within 10-15cm distance from the switch, wave once from right to left to turn off power.=

C. Touch control For IKA-HATTEN

DC 250W motor with 1-3-6-9 speed .

IKA-MAINZ

DC 200W motor with 1-3-6-9 speed .



One Key for quick-fry ---Speed 9



Speed minus(-) and Speed plus(+) -----F1-F3-F6



when the range hood is off , press AI for 3s , the Smoke and stove integration is going to be connection sound “B” . Turn on the gas stove ,when they are successful sound “B” . Cancel Smoke and stove integration, press AI for 3s .


When range hood stand by or off , press AI for Automatic boosting when range hood outlet blockage .




when the range hood stand by ,press it for 3s . There is 9mints auto clean ,and 1 mints rework , so that the oil is going to be collected in the oil cup .




when the range hood stand by ,press it for 3s .The screen is flash for hour setting , LED flash

symbol for minus(-), 

flash symbol for plus(+) . Press 

for minute setting , LED flash

symbol for minus(-), 

flash symbol for plus(+) .



Turn on or Turn off .



LED is on or off .

Cleaning & Maintenance



ALWAYS SWITCH OFF AND UNPLUG FIRST!

SURFACES:

Wash with warm soapy water and a soft sponge. Never use abrasive detergent, scouring pads, steel wool or solvents on any part of this appliance as this will cause irreparable damage.

ALUMINIUM GREASE FILTERS:

Wash in the dishwashers or soak the panels in a degreasing agent for an hour, then rinse off and dry before re-installing.

CHARCOAL FILTERS:(optional and not included in package)

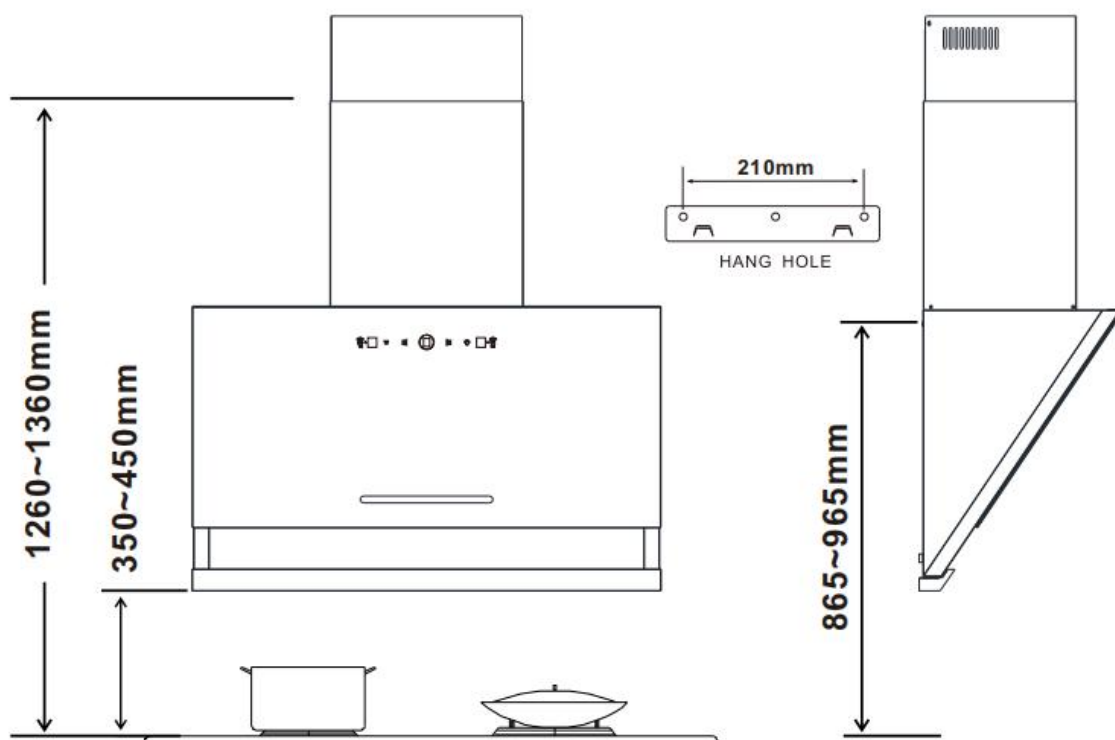
(only in re-circulating model): Charcoal cannot be reused. They must be replaced with the appropriate types once a year or depending on the frequency of appliance usage.

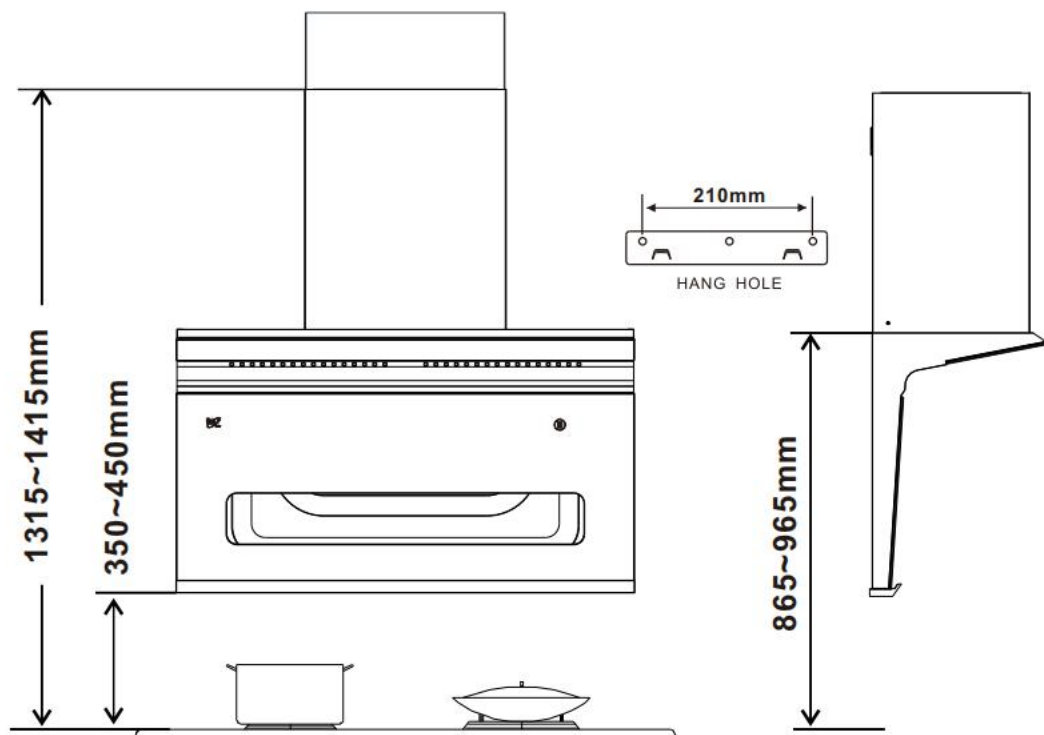
For this appliance to function effectively, regular maintenance is a must.

Clogged filters restrict airflow and may cause the motor to overheat.

5. Installation

1. Use suitable bolts to mount the appliance on a secure surface.
2. The minimum distance between the supporting surface for the cooking vessels on the hob and the lowest part of the range hood. When the range hood is located above a gas appliance, this distance shall be at least 65 cm. If the instructions for installation for the gas hob specify a greater distance, this has to be taken into consideration.
3. The location of the installation must have permanent openings for ventilation.
4. Regulations concerning the discharge of air have to be fulfilled.
5. It is strongly recommended that the hood to be installed right over the exhaust air from cooking.
6. Do not install the outlet of the pipe in the wind direction, which can prevent the exhaust air from flowing backward.
7. To fasten the components for the exhaust outlet with screws. To ensure good ejection of exhaust air, the pipe must not be bended for too many times.





Carbon filter for IKA VOLCANO

Activated carbon filter can be used to trap odors.

In order to install the activated carbon filter, lift the front glass .

Press and revolve the activated carbon filter locked with the net .



Carbon filter for IKA ALEXA



IMPORTANT NOTES:

1. To ensure the activated carbon filter is securely locked.
2. When activated carbon filter is attached, the suction power will be lower.
3. To check the electrical connection is corresponded to the electrical requirement on the rating plate, which is placed inside the cooker hood. The appliance should now be connected to the electrical supply.
4. To check the appliance is operating correctly by selecting each speed and switching the light bulb on and off.
5. To remove the hanging hook and then slide the lower chimney section downwards, until it rests against the main body of the cooker hood.
6. To use a stainless-steel cleaner and polish on the stainless steel surfaces of the appliance.
7. If you are using the appliance in recirculation mode, you should install the carbon filter. See the "fitting the carbon filter" section on page 21.
8. Every hood has two fixing screws to firmly fix the hood in its place.

FOR THE INSTALLER

6. Safety Information

1. Electrical connection must be in accordance with the local standards and laws.
2. To ensure that the electrical supply in compliance with the appliance setting, otherwise, do not connect.
3. To ensure the power supply cord is free from any heat source or sharp objects.
4. The electrical connection of this appliance must be soundly earthed. In the event of electrical short circuit, grounding reduces the risk of electrical shock. If unsure, contact a qualified electrician.
5. Replacement of lamp must not exceed 20W.
6. LED lamp must not exceed 1.5W/7W.



Wire Color Codes:

Green & Yellow = EARTH

Blue = NEUTRAL

Brown = LIVE

7. Trouble shooting

| Problems | Possible Cause | Action |
|--------------------------------|--------------------------------------------------|-----------------------------------------------------------|
| No go | No power supply | Check that the main switch is turned on |
| | | Check that the plug is connected |
| Poor airflow | Aluminum grease filters clogged | Clean the filters and replace when dry |
| | Charcoal grease filters clogged | Replace charcoal filters with new sets |
| Motor running but no airflow | Butterfly valve jammed | Contact technician |
| Motor cuts after a few minutes | High temperature safety device activated | The kitchen is not sufficiently ventilated |
| | The hood is installed too near the cooking stove | The hood must be at least 65cm from stove |
| Strong cooking smell | Charcoal filters are not installed | Charcoal filters must be installed in re-circulating mode |
| Oil dripping onto stove | Oil cup missing or not installed | Remove aluminum filter and replace oil cup |
| | aluminum grease filter saturated | Wash the aluminum grease filters |
| Whirring sound | Foreign object in contact with fan blade | Contact technician |